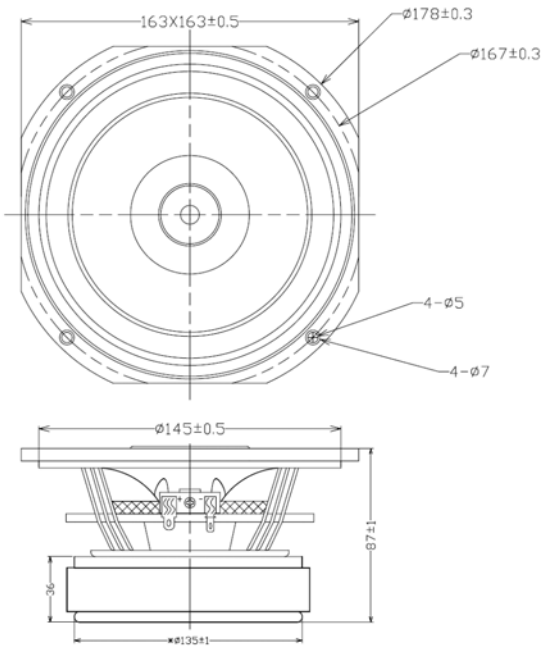


FULL RANGE

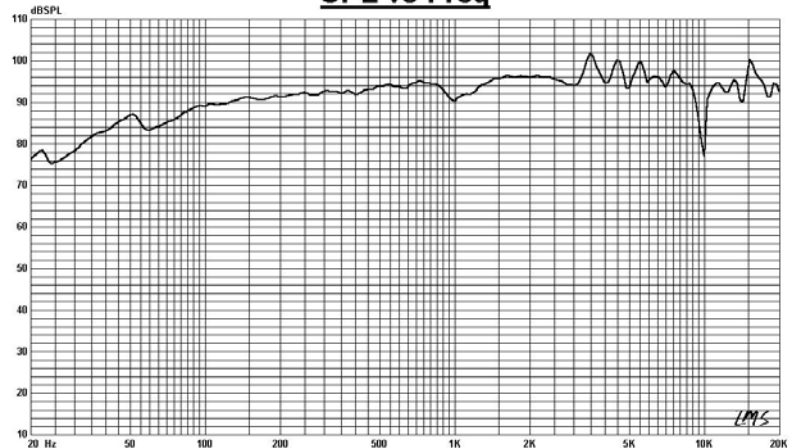
MODEL:FB163B8-17F



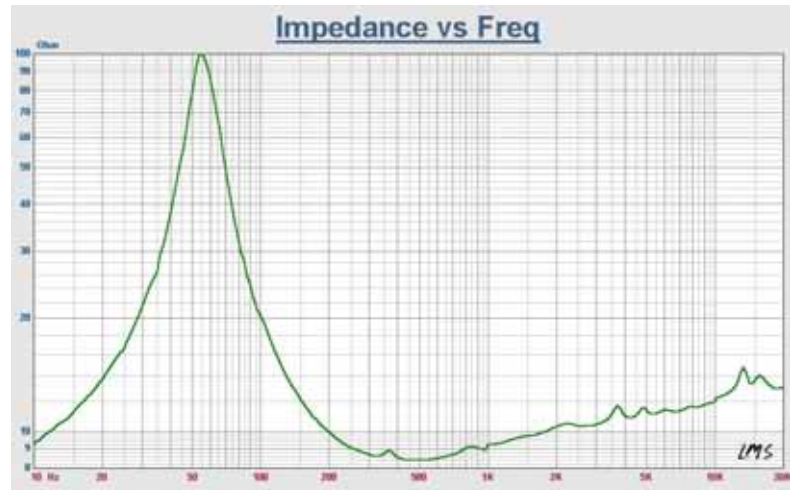
Specifications & Thiele/Small Parameters

Impedance	: 8 Ohm
Minimum Frequency Response	: 55 Hz
Reproduction Frequency Response	: Fo~18K
S.P.L.	: 93.723 dB/W(m)
Rated Input	: 30 W
Music Power	: 50 W
Equivalent Diaphragm Radius	: 65 mm
Equivalent Mass	: 6.388 g
Magnet Weight	: 1455 g
Net Weight	: 3650 g
Fs	: 55.690 Hz
Re	: 7 Ohm
Mms	: 7.230 g
BL	: 7.669 TM
Qts	: 0.279
Qms	: 3.781
Qes	: 0.301
Vas	: 26.693 Ltr
Xmax	: 1.0 mm
no	: 1.481%
Material	Frame : Cast
	Cone : Paper
	Surround : Cloth
	Damper : Conex
	VC DIA : Φ30.5 KSV 0.17 PESV
Magnet	: Φ145×Φ50×20 Y30

SPL vs Freq



Impedance vs Freq



GUIDE-SOUND ELECTRONICS CO., LTD

E-Mail: sales@gui-sound.com

Welcome Inquiry & Orders For OEM&ODM