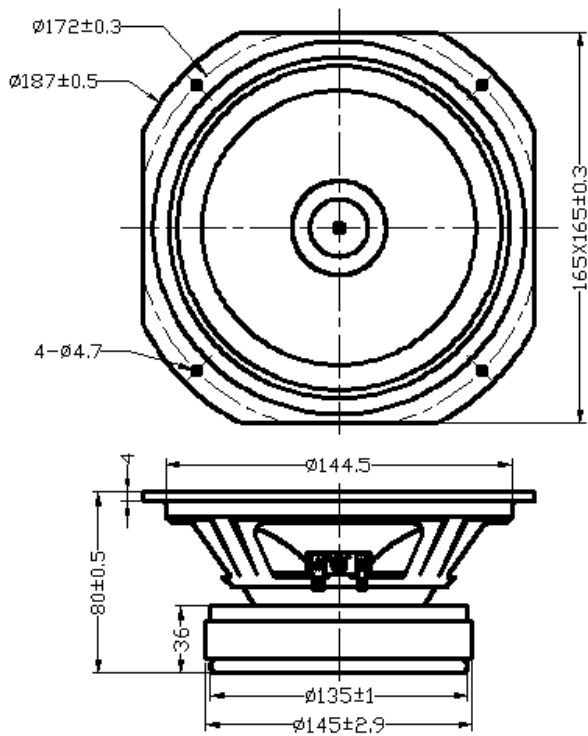


## 6.5" FULL RANGE



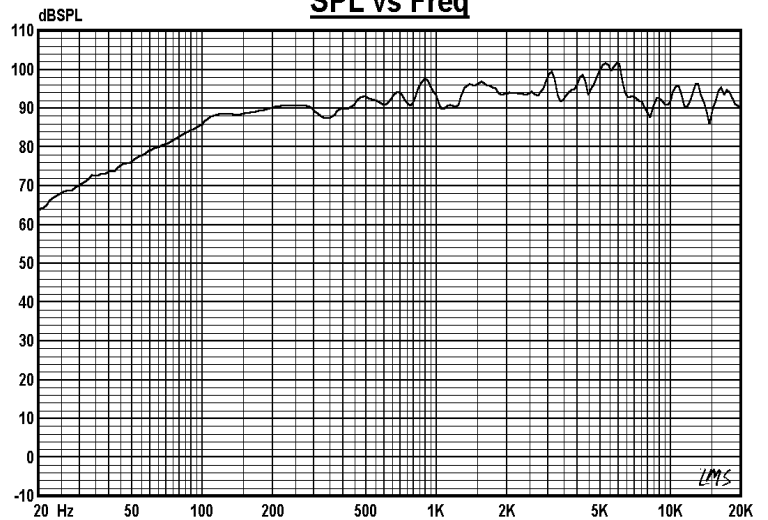
Model :FB166B8-15FG (white paper cone)



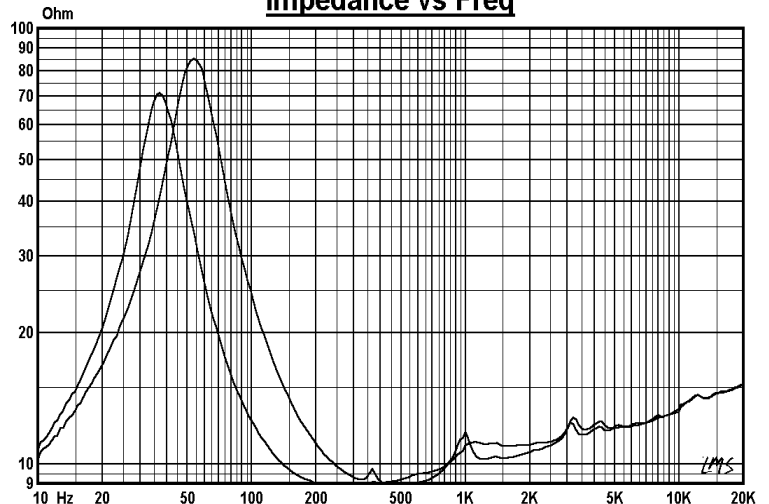
### Specifications & Thiele/Small Parameters

Impedance	: 8 Ohm
Minimum Frequency Response	: 54Hz
Reproduction Frequency Response	: Fo~20K
S.P.L.	: 94.214 dB/W(m)
Rated Input	: 30 W
Music Power	: 40 W
Equivalent Diaphragm Radius	: 64mm
Equivalent Mass	: 6.93 g
Magnet Weight	: 1455 g
Net Weight	: 3435g
Fs	: 53.93 Hz
Re	: 7.2 Ohm
Mms	: 7.773g
BL	: 8.848 TM
Qts	: 0.222
Qms	: 2.611
Qes	: 0.242
Vas	: 26.477 Ltr
Xmax	: 1.0mm
no	: 1.658%
Material	Frame : Fe
	Cone : PAPER
	Surround : FABRIC
	Damper : CONEX
	VC DIA : 1.2"
Magnet	: 51.3 OZ

### SPL vs Freq



### Impedance vs Freq



GUIDE-SOUND INDUSTRIES CO.,LTD

E-Mail: sales@gui-sound.com

Welcome Inquiry&Orders For OEM&ODM