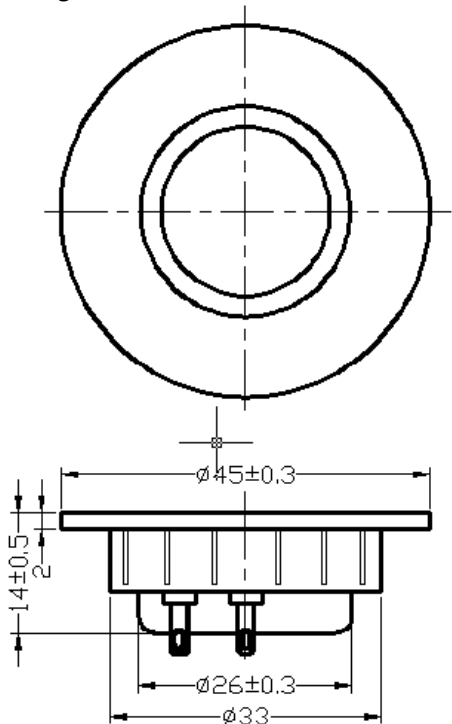


Neodymium Dome Tweeter

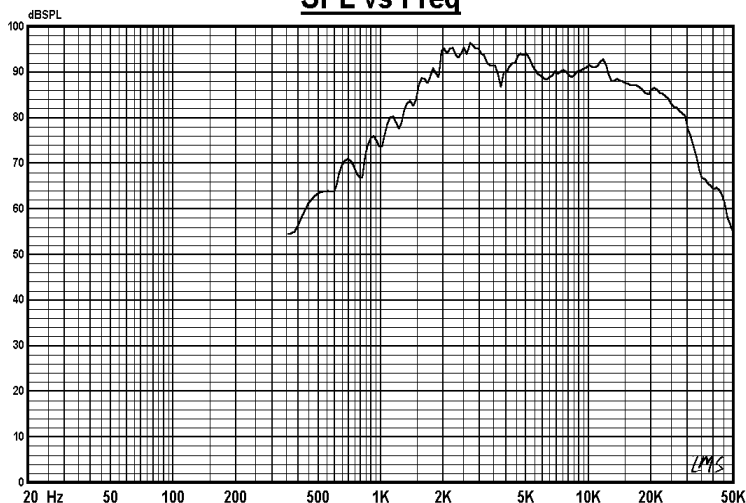
Model :UR45B6-11T



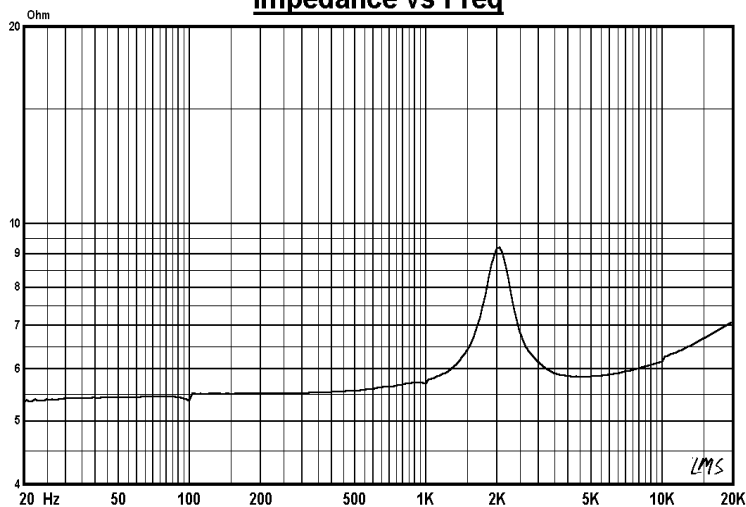
Specifications & Thiele/Small Parameters

Impedance	: 6 Ohm
Minimum Frequency Response	: 2000Hz
Reproduction Frequency Response	: Fo~25K
S.P.L.	: 91dB/W(m)
Rated Input	: 20W
Music Power	: 25W
Equivalent Diagram Radius	:
Equivalent Mass	:
Magnet Weight	:
Net Weight	: 50 g
Fs	: 2038Hz
Re	: 5.2 Ohm
Mms	:
BL	:
Qts	:
Qms	:
Qes	:
Vas	:
Xmax	: 0.05mm
no	:
Material	:
Frame	: ABS
Cone	: SILK
Surround	: SILK
Damper	:
VC DIA	: 0.8"
Magner	: NEODYMIUM

SPL vs Freq



Impedance vs Freq



GUIDE-SOUND INDUSTRIES CO.,LTD

E-Mail: sales@gui-sound.com

Welcome Inquiry&Orders For OEM&ODM