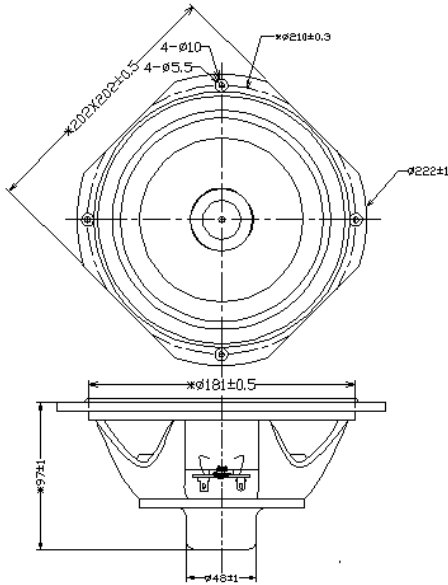


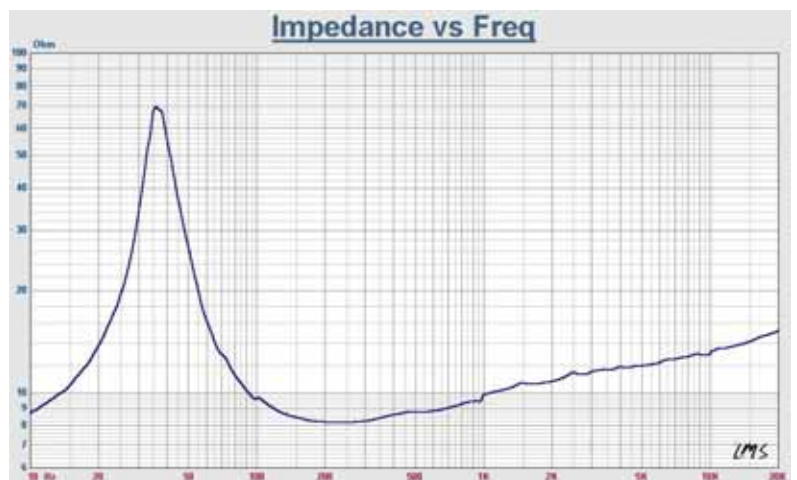
FULL RANGE

MODEL: UB202B8-16F



Specifications & Thiele/Small Parameters

Impedance	: 80hm	
Minimum Frequency Response	: 37Hz	
Reproduction Frequency Response	: Fo~18K	
S.P.L.	: 91.155dB/W(m)	
Rated Input	: 20W	
Music Power	: 30W	
Equivalent Diagram Radius	: 77 mm	
Equivalent Mass	: 11.406g	
Magnet Weight	:	
Net Weight	: 1250g	
Fs	: 37.539Hz	
Re	: 7.2Ohm	
Mms	: 13.131g	
BL	: 6.518TM	
Qts	: 0.469	
Qms	: 4.378	
Qes	: 0.525	
Vas	: 84.103Ltr	
Xmax	: 1.5mm	
no	: 0.820%	
Material	Frame	: CAST
	Cone	: PAPER
	Surround	: FABRIC
	Damper	: CONEX
	VC DIA	: 35.5 KSV 0.18 SV
	Magnet	: 34*12 N35 Neodymium



GUIDE-SOUND ELECTRONICS CO., LTD

E-Mail: sales@gui-sound.com

Welcome Inquiry & Orders For OEM&ODM