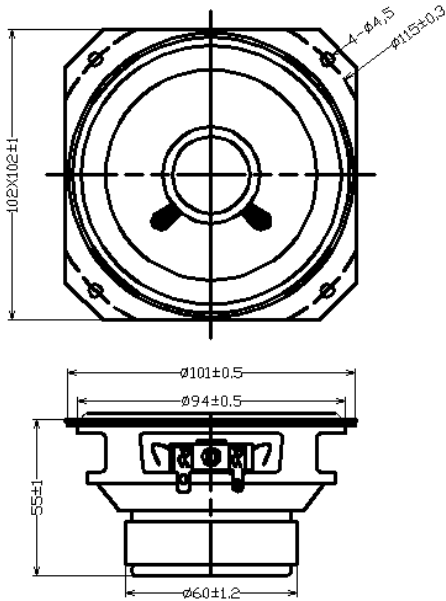


WOOFER

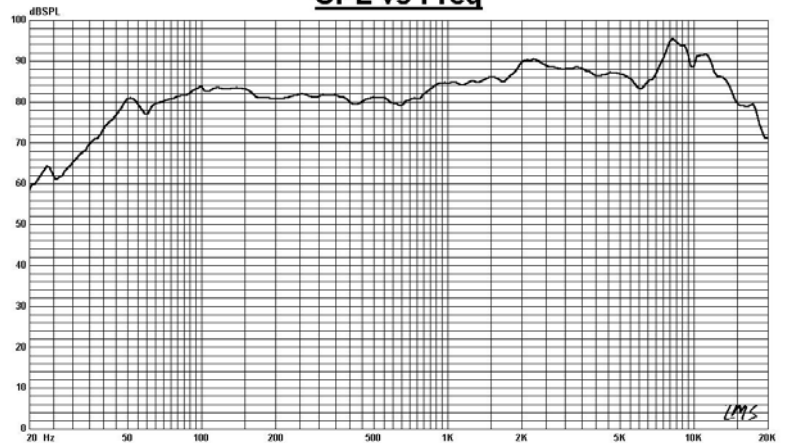
Model: FB102B8-11F



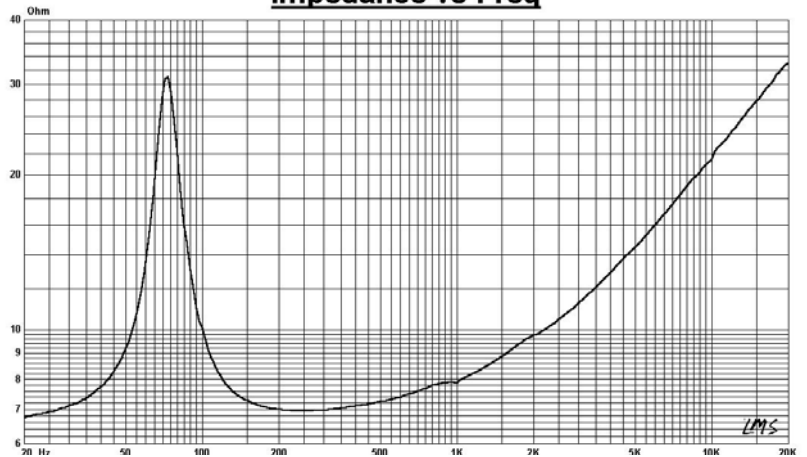
Specifications & Thiele/Small Parameters

Impedance	: 8 Ohm	
Minimum Frequency Response	: 73 Hz	
Reproduction Frequency Response	: Fo~15K	
S.P.L.	: 83.435dB/W(m)	
Rated Input	: 10W	
Music Power	: 15W	
Equivalent Diaphragm Radius	: 45mm	
Equivalent Mass	: 5.467 g	
Magnet Weight	: 152 g	
Net Weight	: 400 g	
Fs	: 73.417 Hz	
Re	: 6.2 Ohm	
Mms	: 5.790 g	
BL	: 3.354TM	
Qts	: 1.149	
Qms	: 5.233	
Qes	: 1.472	
Vas	: 5.330Ltr	
Xmax	: 1mm	
no	: 0.139%	
Material	Frame	: Fe
	Cone	: PAPER
	Surround	: RUBBER
	Damper	: COTTON
	VC DIA	: 0.8"
	Magnet	: 5.3OZ

SPL vs Freq



Impedance vs Freq



GUIDE-SOUND INDUSTRIES CO.,LTD

E-Mail: sales@gui-sound.com

Welcome Inquiry&Orders For OEM&ODM