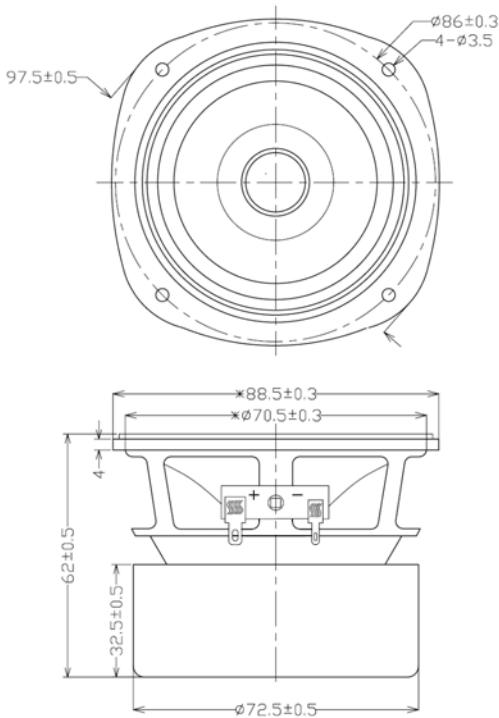


## Full Range



## Model :HP89B8-14F



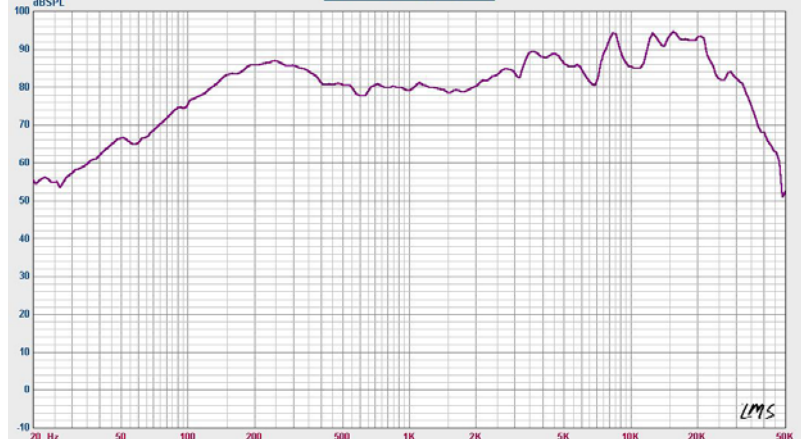
## Specifications

&

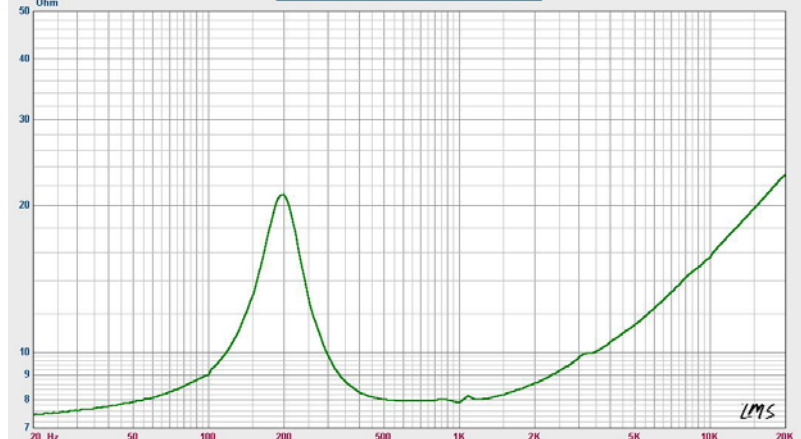
## Thiele/Small Parameters

Impedance	: 8 Ohm
Minimum Frequency Response	: 196 Hz
Reproduction Frequency Response	: F <sub>0</sub> ~25KHz
S.P.L.	: 87.199 dB/W(m)
Rated Input	: 10 W
Music Power	: 15 W
Equivalent Diagram Radius	: 30mm
Equivalent Mass	: 1.351 g
Magnet Weight	: 230g
Net Weight	: 650g
F <sub>s</sub>	: 196.36 Hz
R <sub>e</sub>	: 7.2 Ohm
M <sub>ms</sub>	: 1.455 g
BL	: 2.977 TM
Q <sub>ts</sub>	: 0.931
Q <sub>ms</sub>	: 2.573
Q <sub>es</sub>	: 1.458
V <sub>as</sub>	: 0.656 Ltr
X <sub>max</sub>	: 2 mm
no	: 0.33%
Frame	: Fe
Cone	: Paper (White)
Surround	: Cloth
Damper GLM	: Conex+Cotton (4Hole)
VC DIA	CBC : $\Phi 16$ KSV 0.15 CCAW
Magnet	: $\Phi 70 \times \Phi 32 \times 15$ Y30 $\Phi 55 \times \Phi 25 \times 8$ Y25

## SPL vs Freq



## Impedance vs Freq



GUIDE-SOUND INDUSTRIES CO.,LTD

E-Mail: Tsaichunchang@yahoo.com.tw

Welcome Inquiry&Orders For OEM&ODM