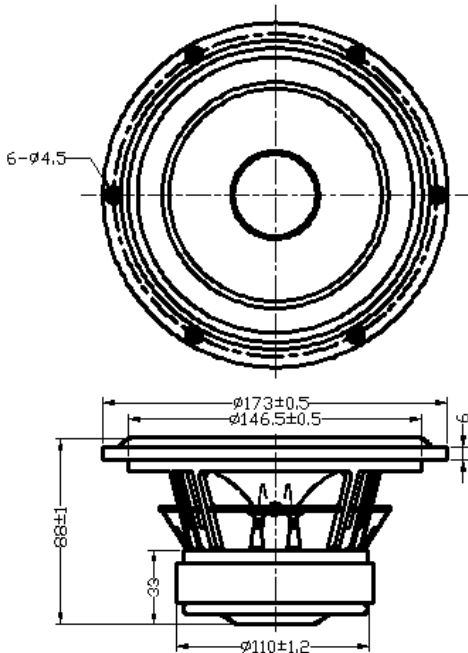


Woofer

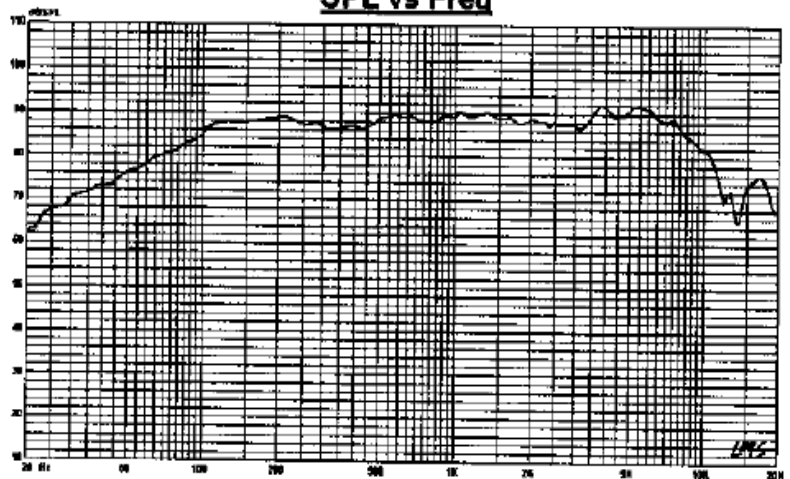
Model : FR173B6-10M



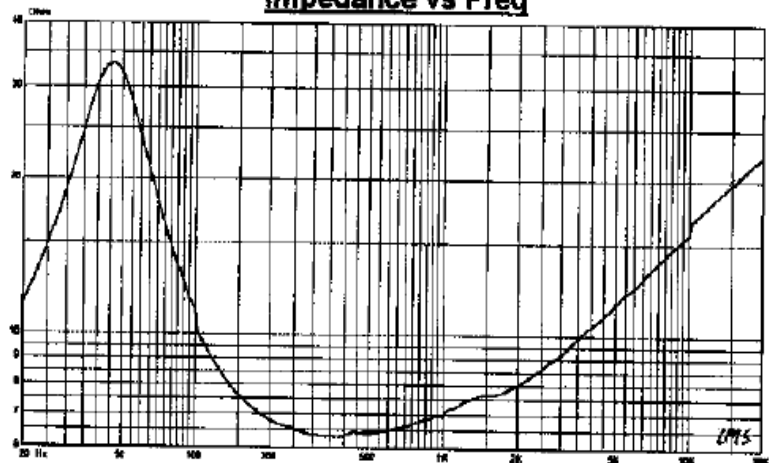
Specifications & Thiele/Small Parameters

Impedance	: 6 Ohm
Minimum Frequency Response	: 44 Hz
Reproduction Frequency Response	: Fo~10K
S.P.L.	: 87.811 dB/W(m)
Rated Input	: 30 W
Music Power	: 40 W
Equivalent Diagram Radius	: 66 mm
Equivalent Mass	: 14.763 g
Magnet Weight	: 594 g
Net Weight	: 2110 g
Fs	: 44.285 Hz
Re	: 5.6 Ohm
Mms	: 16.371g
BL	: 8.465 TM
Qts	: 0.294
Qms	: 1.672
Qes	: 0.356
Vas	: 16.090 Ltr
Xmax	: 4.5 mm
no	: 0.380%
Material	Frame : Cast
	Cone : Carbon Fiber
	Surround : RUBBER
	Damper : CONEX
	VC DIA : 1.5"
Magnet	: 23.7oz

SPL vs Freq



Impedance vs Freq



GUIDE-SOUND ELECTRONICS CO.,LTD

E-mail: sales@gui-sound.com

Welcome Inquiry&Orders For OEM&ODM