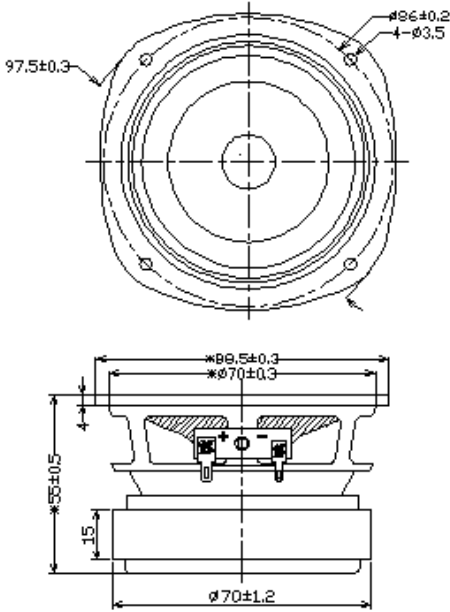


Woofer

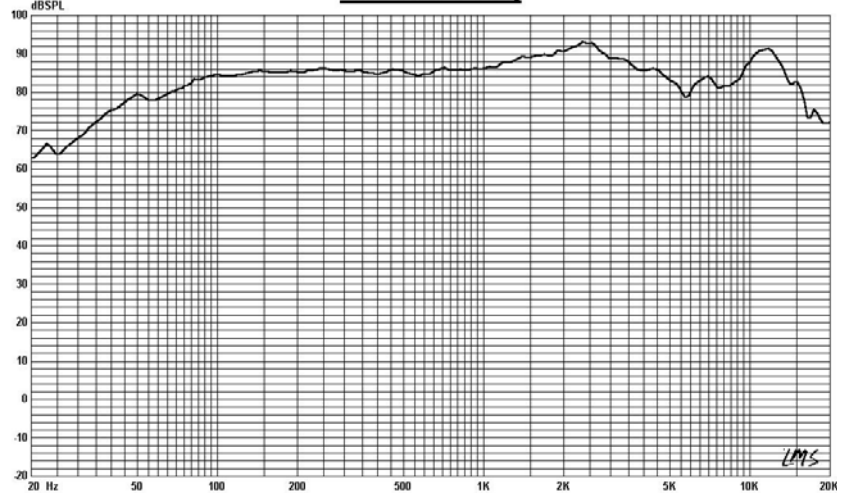
MODEL: FP89B8-13M



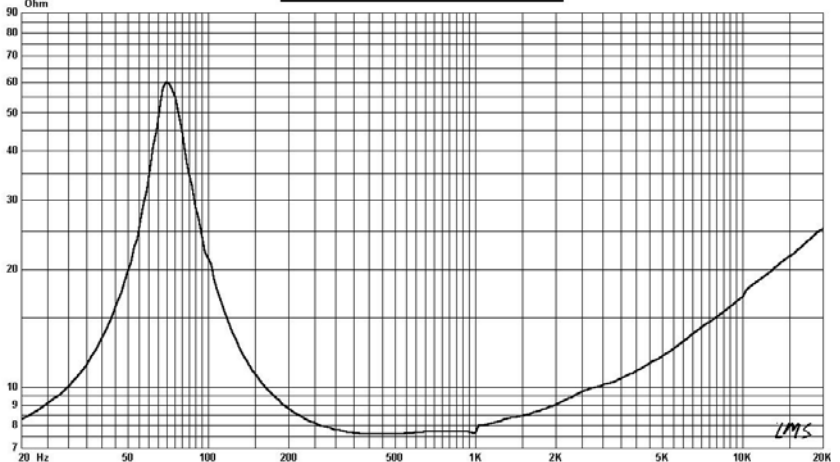
Specifications & Thiele/Small Parameter

Impedance	: 8 Ohm
Minimum Frequency Response	: 71 Hz
Reproduction Frequency Response	: Fo~15K
S.P.L.	: 84.324 dB/W(m)
Rated Input	: 10 W
Music Power	: 15 W
Equivalent Diaphragm Radius	: 30 mm
Equivalent Mass	: 2.468 g
Magnet Weight	: 228 g
Net Weight	: 530 g
Fs	: 71.865 Hz
Re	: 6.80 Ohm
Mms	: 2.820 g
BL	: 4.027 TM
Qts	: 0.469
Qms	: 3.895
Qes	: 0.534
Vas	: 2.529 Ltr
Xmax	: 1.5 mm
no	: 0.200%
Material	Frame : Fe
	Cone : Wooden
	Surround : RUBBER
	Damper : CONEX
	VC DIA : 0.8"
Magnet	: 8.04 oz

SPL vs Freq



Impedance vs Freq



GUIDE-SOUND INDUSTRIES CO.,LTD

E-Mail: sales@gui-sound.com

Welcome Inquiry&Orders For OEM&ODM