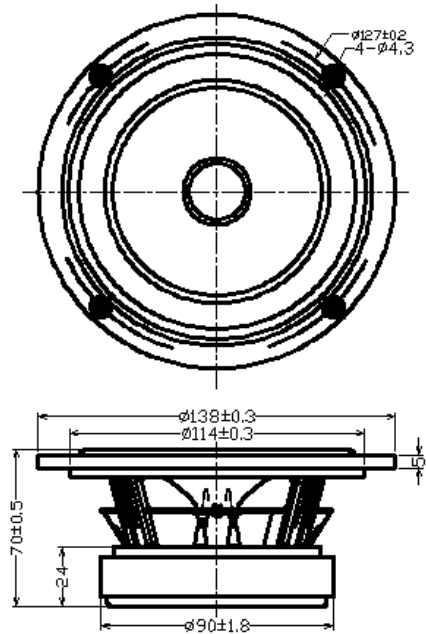


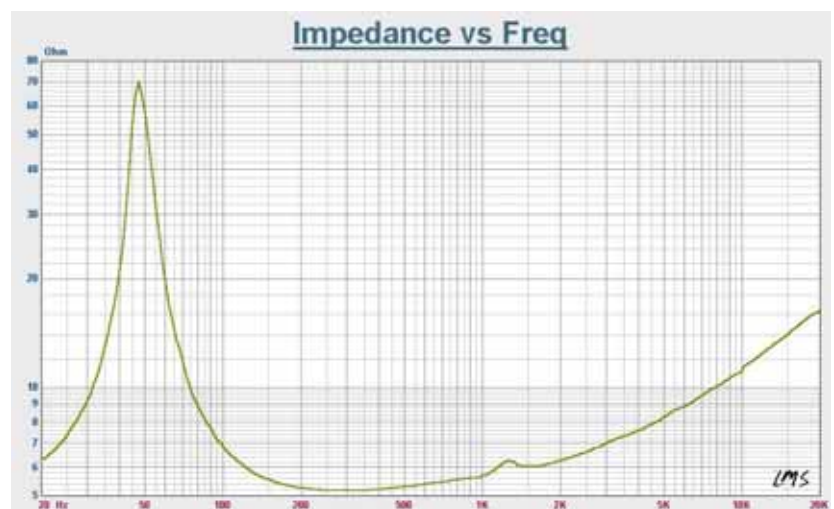
5" Woofer

MODEL:FR137B6-18M



Specifications & Thiele/Small Parameter

Impedance	: 6 Ohm	
Minimum Frequency Response	: 48 Hz	
Reproduction Frequency Response	: Fo~12K	
S.P.L.	: 84.521 dB/W(m)	
Rated Input	: 20 W	
Music Power	: 30 W	
Equivalent Diaphragm Radius	: 49 mm	
Equivalent Mass	: 5.161 g	
Magnet Weight	: 400 g	
Net Weight	: 1070g	
Fs	: 48.627Hz	
Re	: 4.5 Ohm	
Mms	: 7.487 g	
BL	: 4.187 TM	
Qts	: 0.545	
Qms	: 7.570	
Qes	: 0.587	
Vas	: 9.395 Ltr	
Xmax	: 2 mm	
no	: 0.200%	
Material	Frame	: Cast
	Cone	: Wooden
	Surround	: RUBBER
	Damper	: CONEX (Hole)
	VC DIA	: $\Phi 25$ KAP 0.18 Ribbon
	Magnet	: 90X 40X15
	Short Ring	: Cu Ring
Center Cap	: AL Phase Plug (Gold)	



GUIDE-SOUND INDUSTRIES CO.,LTD

E-Mail: sales@gui-sound.com

Welcome Inquiry&Orders For OEM&ODM