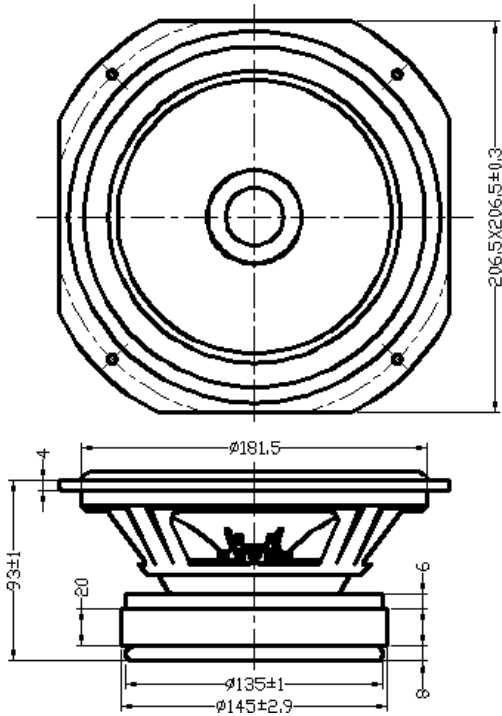


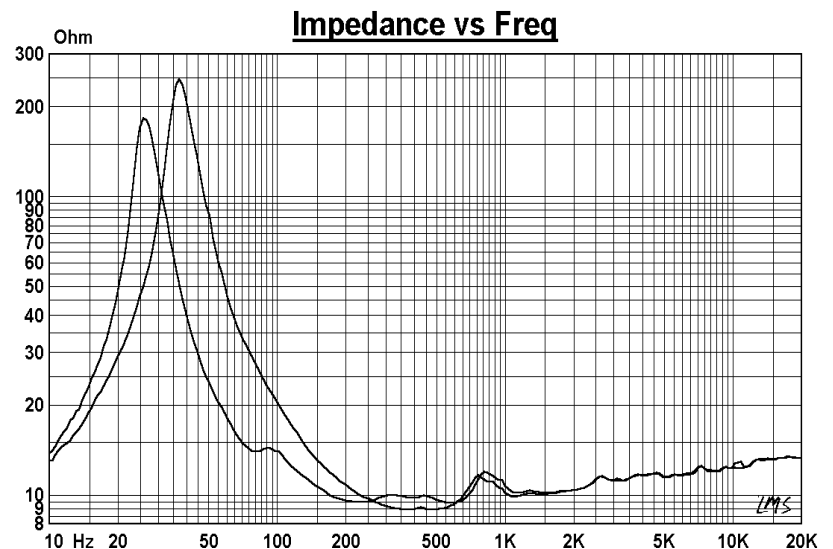
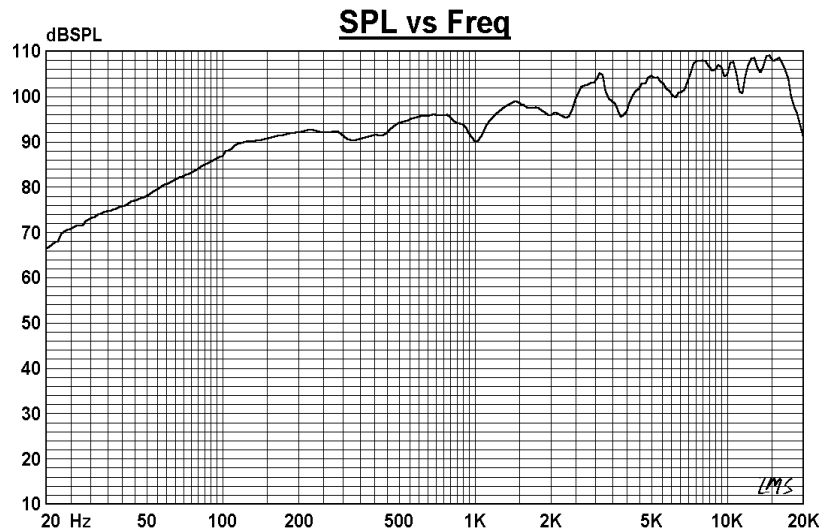
8" Full Range

FB208B8-11F



**Specifications
&
Thiele/Small Parameters**

Impedance	: 8 Ohm
Minimum Frequency Response	: 39Hz
Reproduction Frequency Response	: Fo~18K
S.P.L.	: 97.723dB/W(m)
Rated Input	: 30 W
Music Power	: 50 W
Equivalent Diaphragm Radius	: 88 mm
Equivalent Mass	: 7.027g
Magnet Weight	: 1400g
Net Weight	: 3540g
Fs	: 38.897Hz
Re	: 7.2 Ohm
Mms	: 8.752 g
BL	: 9.254 TM
Qts	: 0.174
Qms	: 5.774
Qes	: 0.18
Vas	: 117.525 Ltr
Xmax	: 1.0 mm
no	: 3.719 %
Material	Frame : Fe
	Cone : PAPER
	Surround : FABRIC
	Damper : CONEX
	VC DIA : 1.3"
	Magnet : 51.3 oz



GUI-SOUND ELECTRONICS CO.,LTD

E-mail: sales@gui-sound.com

Welcome Inquiry&Orders For OEM&ODM