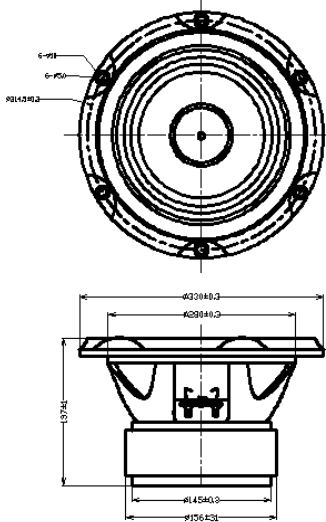


12 " FULL RANGE

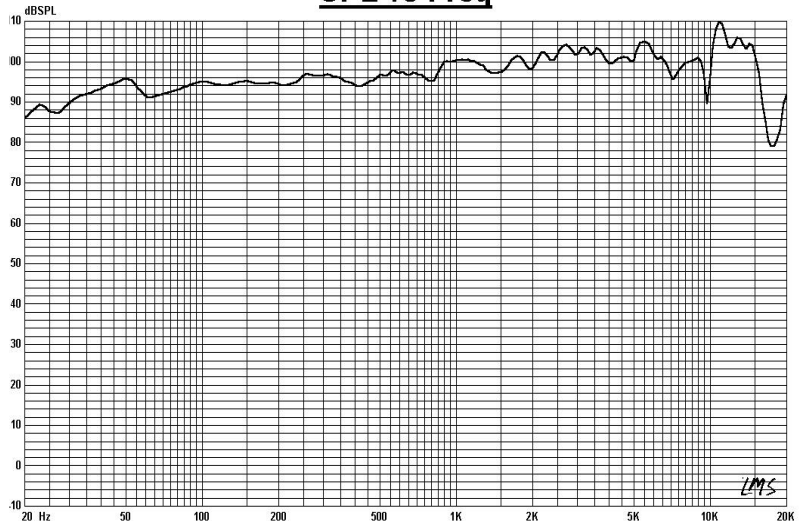
Model: FR330B8-11F



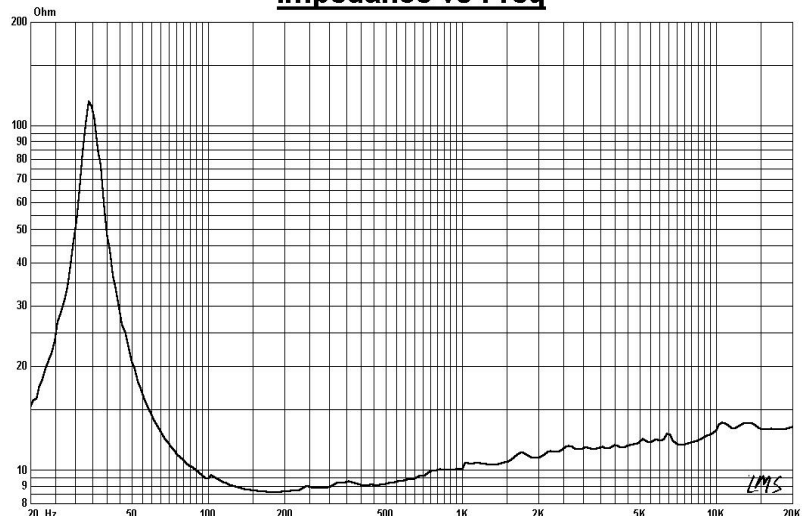
Specifications & Thiele/Small Parameters

Impedance	: 8 Ohm	
Minimum Frequency Response	: 34Hz	
Reproduction Frequency Response	: Fo~17K	
S.P.L.	: 95.553 dB/W(m)	
Rated Input	: 30W	
Music Power	: 45W	
Equivalent Diaphragm Radius	: 135mm	
Equivalent Mass	: 21.785 g	
Magnet Weight	: 1350 g	
Net Weight	: 5050g	
Fs	: 34.756 Hz	
Re	: 7.2 Ohm	
Mms	: 28.330g	
BL	: 9.592 TM	
Qts	: 0.458	
Qms	: 8.535	
Qes	: 0.484	
Vas	: 269.105 Ltr	
Xmax	: 1.0mm	
no	: 2.300 %	
Material	Frame	: Cast
	Cone	: PAPER
	Surround	: Cloth
	Damper	: CONEX
	VC DIA	: 1.5"
	Magnet	: 47.7OZ

SPL vs Freq



Impedance vs Freq



GUIDE-SOUND INDUSTRIES CO.,LTD

E-Mail: sales@gui-sound.com

Welcome Inquiry&Orders For OEM&ODM