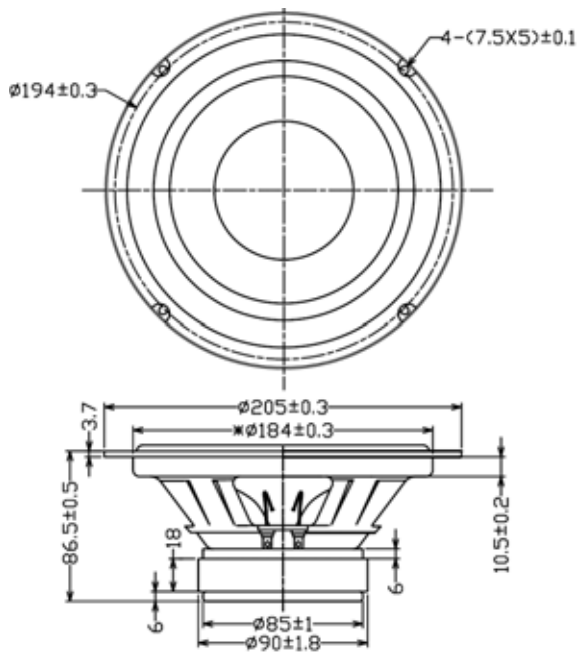


Woofer

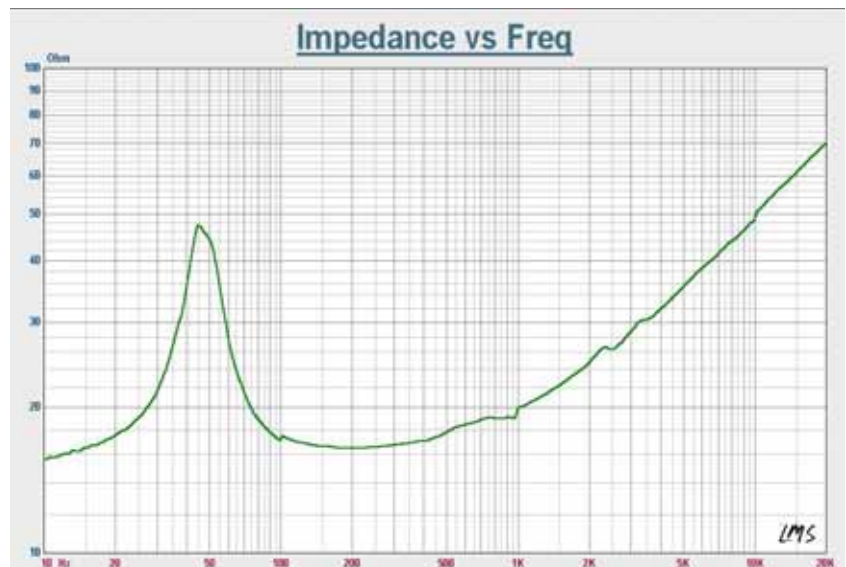


Model :FR205B16-11M



Specifications & Thiele/Small Parameters

Impedance	: 16 Ohm	
Minimum Frequency Response	: 46 Hz	
Reproduction Frequency Response	: Fo~ 7K	
S.P.L.	: 85.853 dB/W(m)	
Rated Input	: 50W	
Music Power	: 60 W	
Equivalent Diagram Radius	: 82 mm	
Equivalent Mass	: 21.624 g	
Magnet Weight	: 400 g	
Net Weight	: 1250 g	
Fs	: 46.241 Hz	
Re	: 15.500 Ohm	
Mms	: 23.349 g	
BL	: 9.237 TM	
Qts	: 0.819	
Qms	: 2.440	
Qes	: 1.232	
Vas	: 31.170 Ltr	
Xmax	: 4.4 mm	
no	: 0.242 %	
Material	Frame	: Fe
	Cone	: Paper
	Surround	: Rubber
	Damper	: Conex+Cotton
	VC DIA	: $\phi 25.5$ ASV 0.14 SV
	Magnet	: $\phi 90 \times \phi 45 \times 18$ Y30
	Short Ring	:
Center Cap	: Dust Cap (Black)	



GUIDE-SOUND INDUSTRIES CO.,LTD

E-Mail: sales@gui-sound.com.tw

Welcome Inquiry&Orders For OEM&ODM