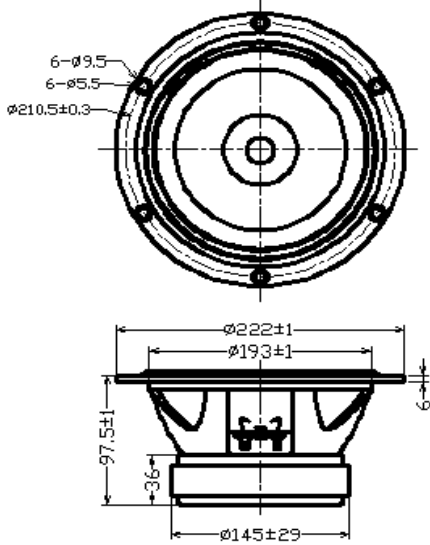


8 " FULL RANGE

Model: FR222B8-11F



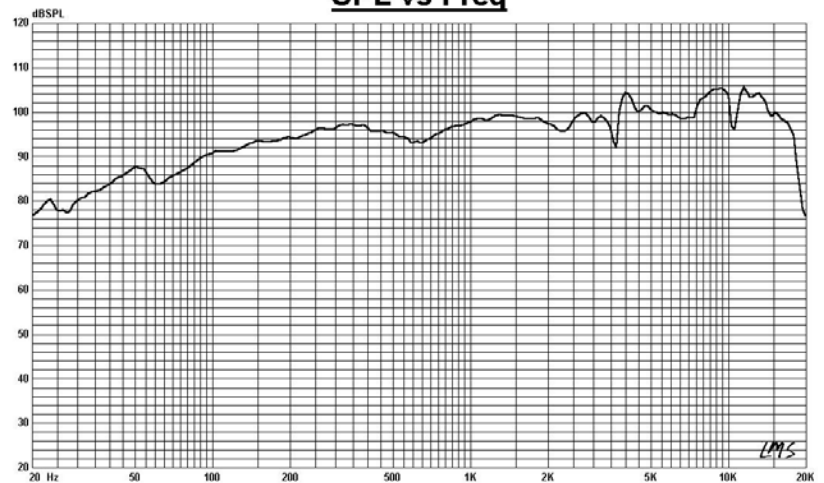
Specifications

&

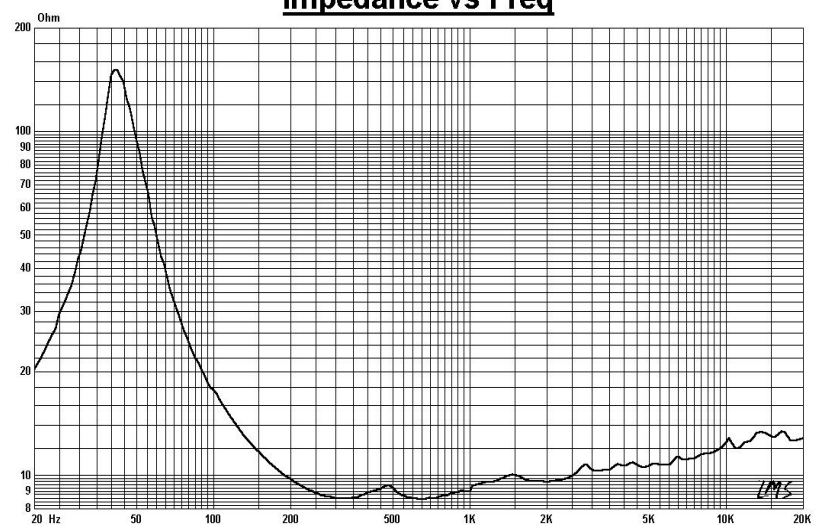
Thiele/Small Parameters

Impedance	: 8 Ohm	
Minimum Frequency Response	: 42Hz	
Reproduction Frequency Response	: Fo~18K	
S.P.L.	: 96.505dB/W(m)	
Rated Input	: 30W	
Music Power	: 45W	
Equivalent Diaphragm Radius	: 87mm	
Equivalent Mass	: 8.387 g	
Magnet Weight	: 1400 g	
Net Weight	: 3900g	
Fs	: 42.614 Hz	
Re	: 7.2 Ohm	
Mms	: 10.112 g	
BL	: 9.294 TM	
Qts	: 0.215	
Qms	: 4.417	
Qes	: 0.226	
Vas	: 84.745 Ltr	
Xmax	: 1mm	
no	: 2.810 %	
Material	Frame	: Cast
	Cone	: PAPER
	Surround	: Cloth
	Damper	: CONEX
	VC DIA	: 1.3"
	Magnet	: 49.4OZ

SPL vs Freq



Impedance vs Freq



GUIDE-SOUND INDUSTRIES CO.,LTD

E-Mail: sales@gui-sound.com

Welcome Inquiry&Orders For OEM&ODM