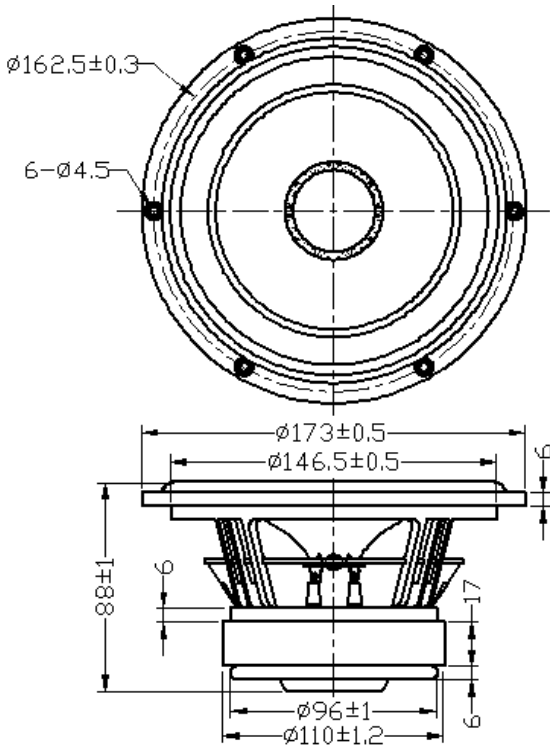


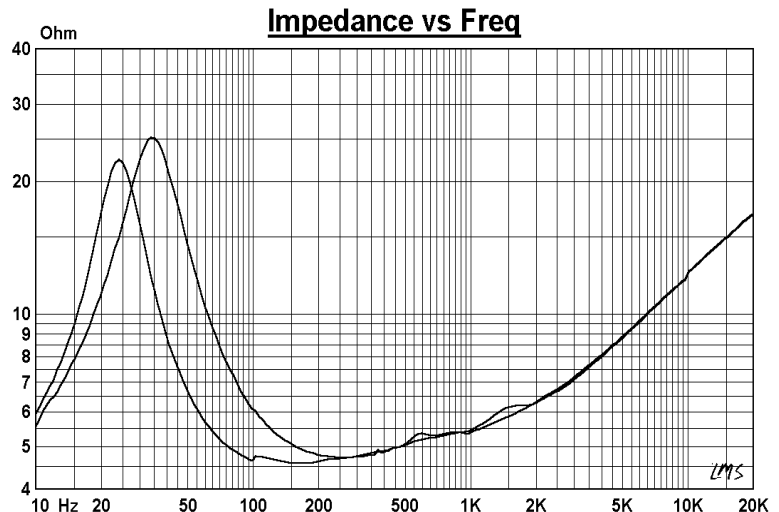
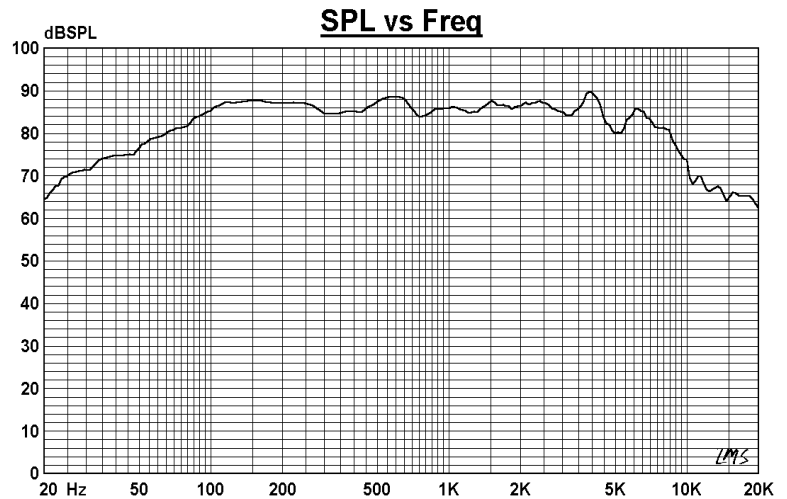
# 6.5" Woofer

Model :FR173B4-18L



## Specifications & Thiele/Small Parameters

Impedance	: 4 Ohm	
Minimum Frequency Response	: 39Hz	
Reproduction Frequency Response	: Fo~8K	
S.P.L.	: 87.9dB/W(m)	
Rated Input	: 20 W	
Music Power	: 30 W	
Equivalent Diaphragm Radius	: 65 mm	
Equivalent Mass	: 15.636g	
Magnet Weight	: 560 g	
Net Weight	: 2095g	
Fs	: 39.574Hz	
Re	: 3.6 Ohm	
Mms	: 16.479g	
BL	: 6.437 TM	
Qts	: 0.298	
Qms	: 1.821	
Qes	: 0.356	
Vas	: 23.193Ltr	
Xmax	: 5 mm	
no	: 0.391%	
Material	Frame	: AL
	Cone	: PAPER COATING
	Surround	: RUBBER
	Damper	: CONEX
	VC DIA	: 1.5"
	Magnet	: 23.7 oz



GUIDE-SOUND ELECTRONICS CO.,LTD

E-mail: sales@gui-sound.com

Welcome Inquiry&Orders For OEM&ODM