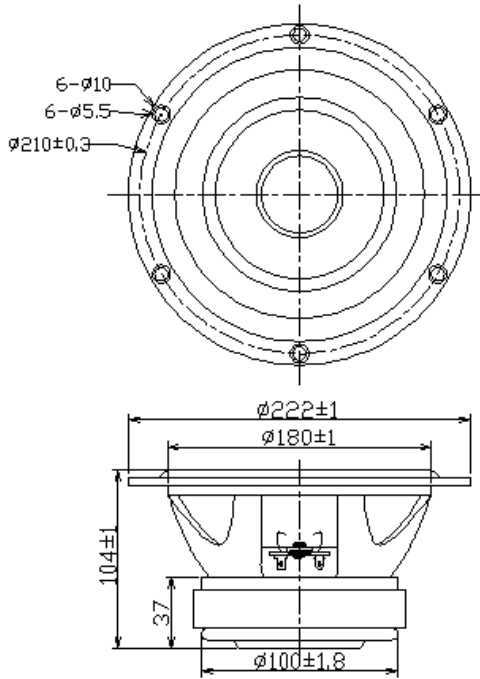


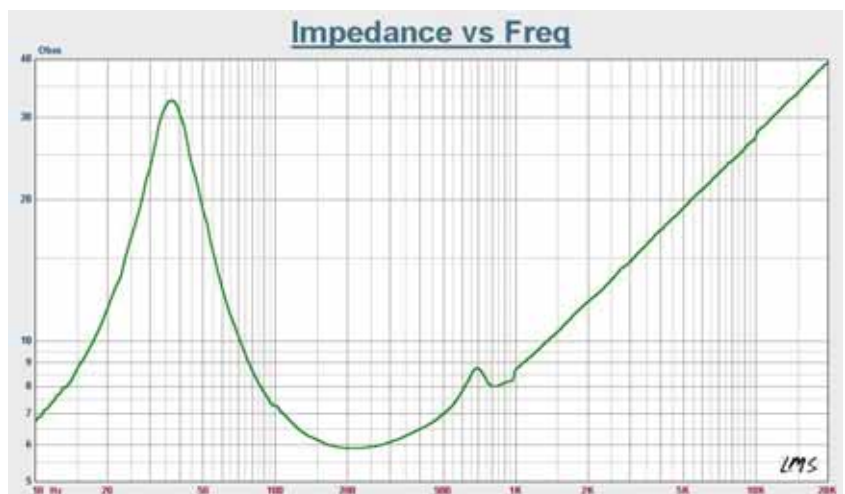
8" Woofer

Model :FR222B6-13M



Specifications & Thiele/Small Parameters

Impedance	: 6 Ohm
Minimum Frequency Response	: 37Hz
Reproduction Frequency Response	: Fo~5KHz
S.P.L.	: 88.007 dB/W(m)
Rated Input	: 30 W
Music Power	: 50 W
Equivalent Diaphragm Radius	: 79 mm
Equivalent Mass	: 35.266 g
Magnet Weight	: 950g
Net Weight	: 2800g
Fs	: 37.158 Hz
Re	: 5.0 Ohm
Mms	: 30.365 g
BL	: 9.239 TM
Qts	: 0.372
Qms	: 2.429
Qes	: 0.439
Vas	: 35.121 Ltr
Xmax	: 5.2 mm
no	: 0.397%
Material	Frame : CAST
	Cone : Paper
	Surround : BUTYL
	Damper : CONEX
	VC DIA : 2"
Magnet	: 34 oz



GUIDE-SOUND INDUSTRIES CO.,LTD

E-Mail: sales@gui-sound.com

Welcome Inquiry&Orders For OEM&ODM