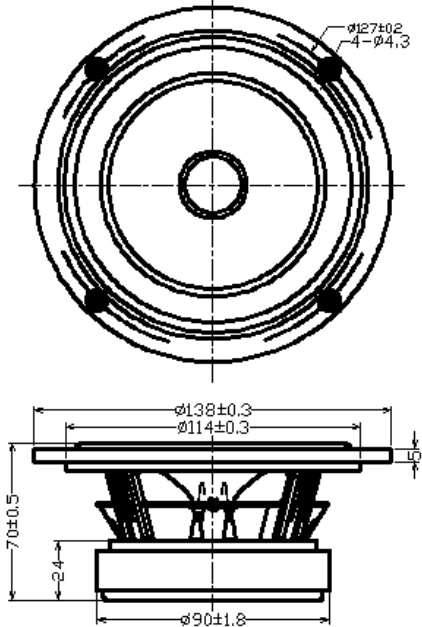


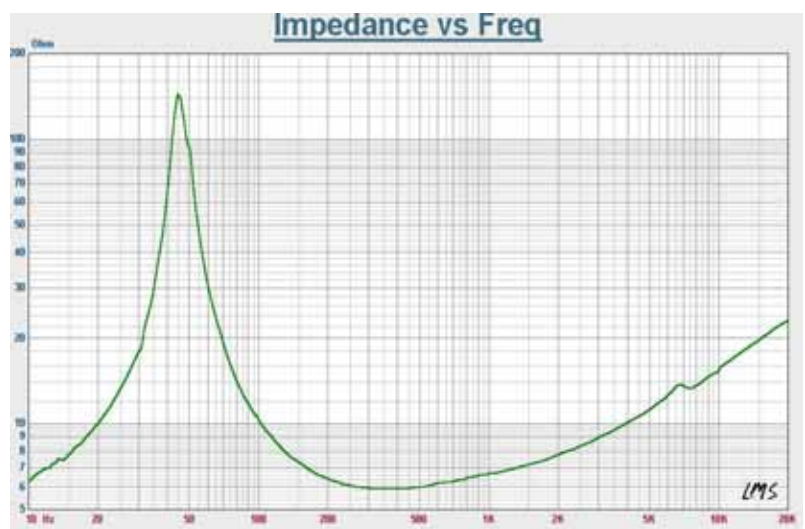
5" Woofer

MODEL:FR137B6-22M



Specifications & Thiele/Small Parameter

Impedance	: 6 Ohm	
Minimum Frequency Response	: 46 Hz	
Reproduction Frequency Response	: Fo~12K	
S.P.L.	: 87.069 dB/W(m)	
Rated Input	: 20 W	
Music Power	: 30 W	
Equivalent Diaphragm Radius	: 49 mm	
Equivalent Mass	: 5.161 g	
Magnet Weight	: 400 g	
Net Weight	: 1020g	
Fs	: 46.116Hz	
Re	: 5.0 Ohm	
Mms	: 7.471 g	
BL	: 5.748 TM	
Qts	: 0.307	
Qms	: 8.167	
Qes	: 0.319	
Vas	: 10.756 Ltr	
Xmax	: 2 mm	
no	: 0.320%	
Material	Frame	: Cast
	Cone	: AL(Silver)
	Surround	: RUBBER
	Damper	: CONEX (Hole)
	VC DIA	: $\Phi 25$ KAP 0.18 SV
	Magnet	: 90X 40X15
	Short Ring	: Cu Ring
	Center Cap	: ABS Phase Plug (Black)



GUIDE-SOUND INDUSTRIES CO.,LTD

E-Mail: sales@gui-sound.com

Welcome Inquiry&Orders For OEM&ODM