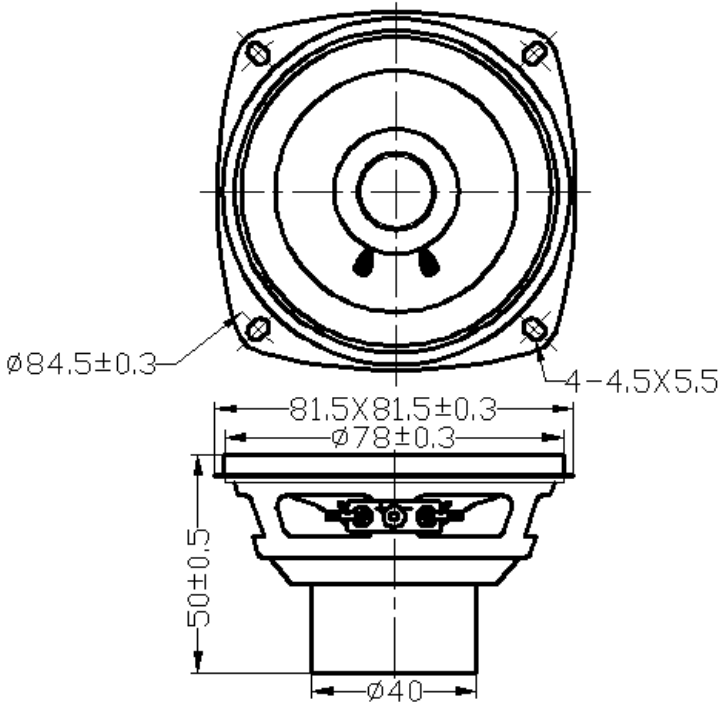


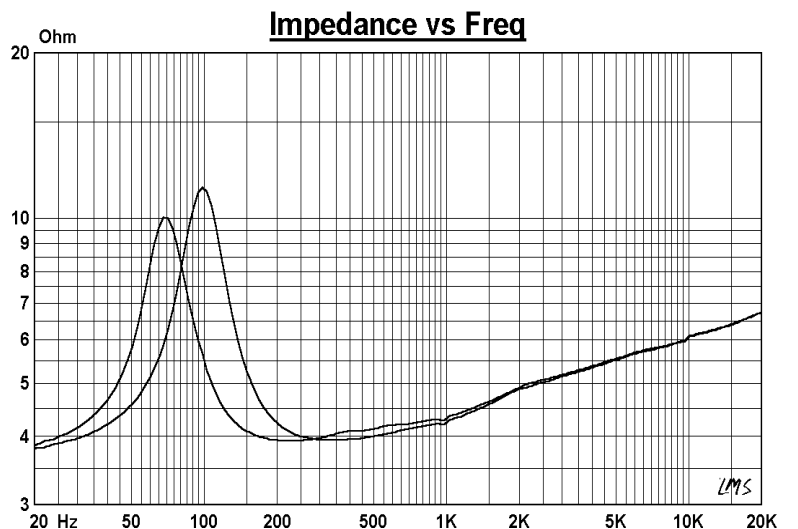
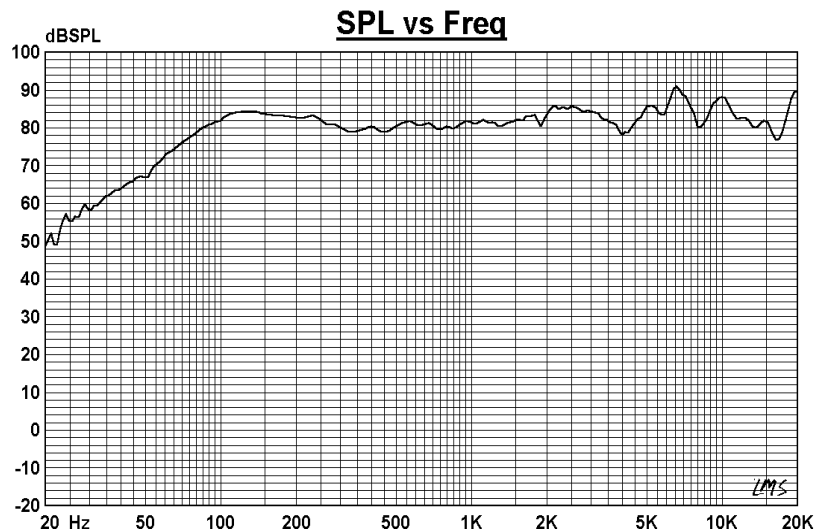
3" FULL RANGE

MODEL : UP82B4-18F



Specifications & Thiele/Small Parameters

Impedance	: 4 Ohm
Minimum Frequency Response	: 99Hz
Reproduction Frequency Response	: Fo~20 K
S.P.L.	: 82.366dB/W(m)
Rated Input	: 15W
Music Power	: 20W
Equivalent Diaphragm Radius	: 32 mm
Equivalent Mass	: 2.297 g
Net Weight	: 190 g
Fs	: 99.146 Hz
Re	: 3.6 Ohm
Mms	: 2.401g
BL	: 1.964TM
Qts	: 0.91
Qms	: 2.757
Qes	: 1.357
Vas	: 1.561 Ltr
Xmax	: 0.85 mm
no	: 0.100 %
Material	Frame : Fe
	Cone : PAPER
	Surround : FABRIC
	Damper : CONEX
	VC DIA : 0.7"
	Magnet : NEODYMIUM



OEM & ODM WELCOME

No. F06

GUI-SOUND ELECTRONICS INDUSTRIAL CO., LTD

<http://www.gui-sound.com>

E-mail: sales@gui-sound.com