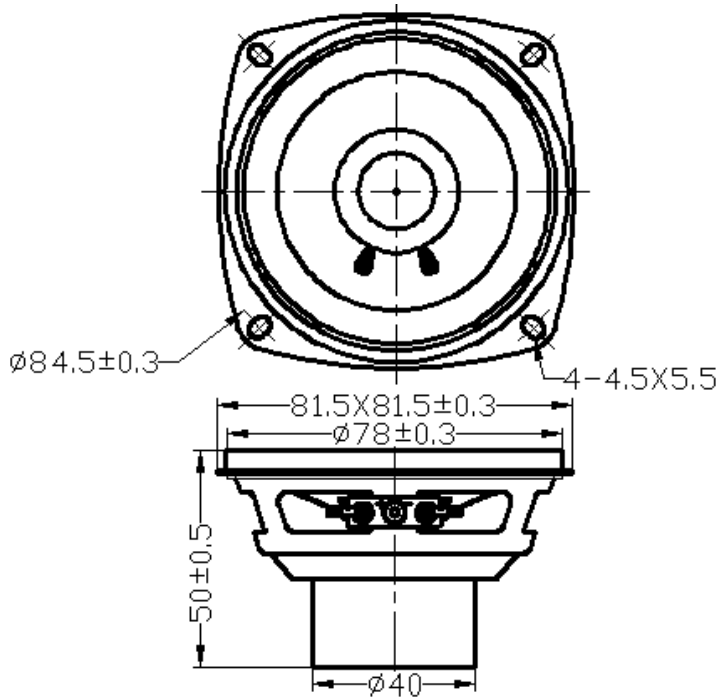


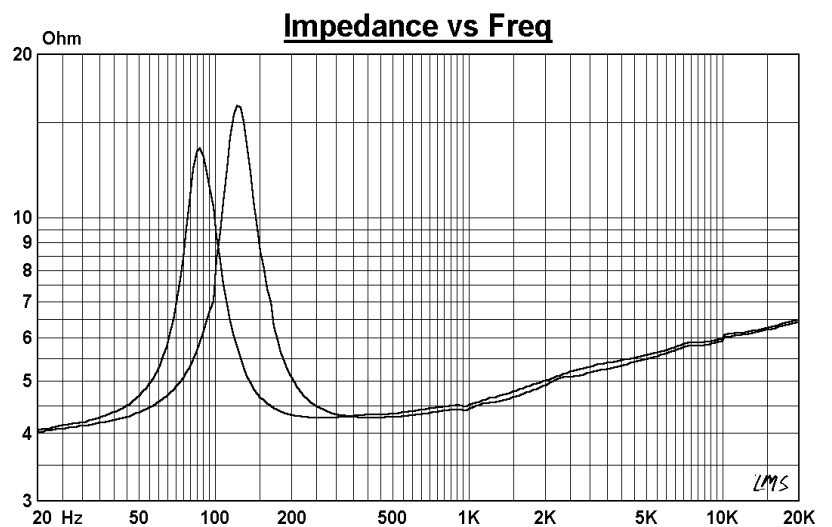
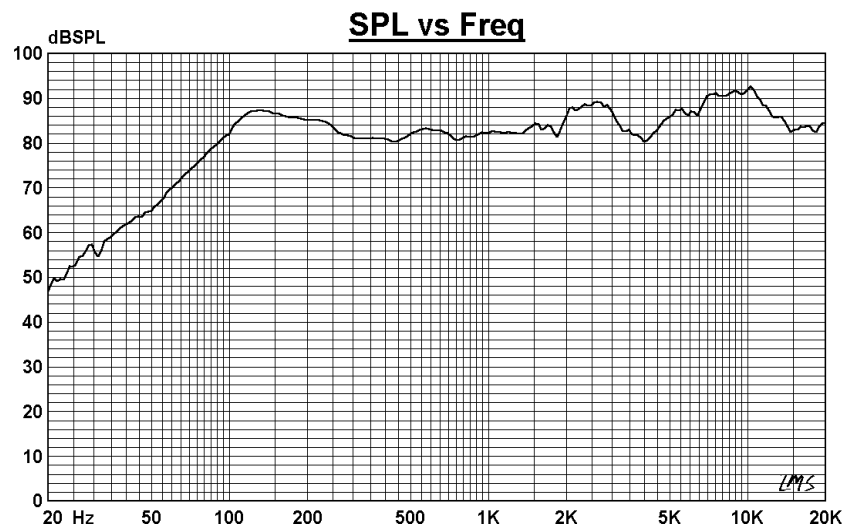
3" FULL RANGE

MODEL : UP82B4-16F



**Specifications
&
Thiele/Small Parameters**

Impedance	: 4 Ohm
Minimum Frequency Response	: 125Hz
Reproduction Frequency Response	: Fo~20 K
S.P.L.	: 82.664dB/W(m)
Rated Input	: 15W
Music Power	: 20W
Equivalent Diaphragm Radius	: 32 mm
Equivalent Mass	: 2.598g
Net Weight	: 190 g
Fs	: 125.775 Hz
Re	: 3.6 Ohm
Mms	: 2.702g
BL	: 2.319TM
Qts	: 1.084
Qms	: 4.495
Qes	: 1.429
Vas	: 0.861 Ltr
Xmax	: 0.85 mm
no	: 0.100 %
Material	Frame : Fe
	Cone : PAPER
	Surround : FABRIC
	Damper : CONEX
	VC DIA : 0.7"
Magnet : NEODYMIUM	



OEM & ODM WELCOME

No. F05

GUI-SOUND ELECTRONICS INDUSTRIAL CO., LTD

<http://www.gui-sound.com> E-mail: sales@gui-sound.com