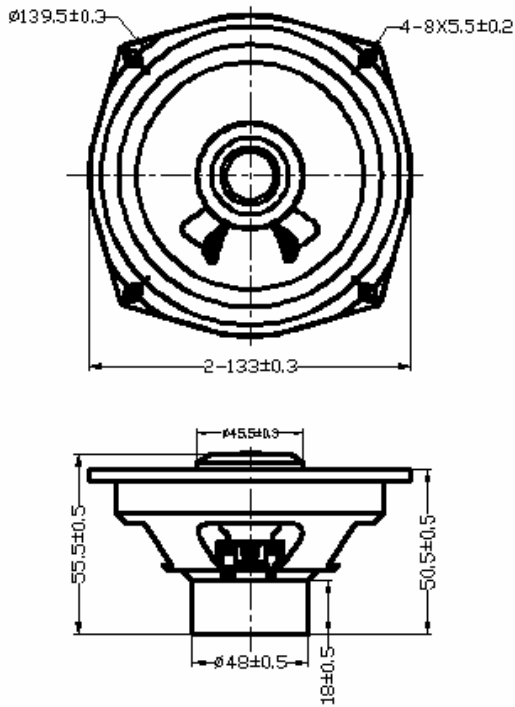


# 5.25" COAXIAL SPEAKER

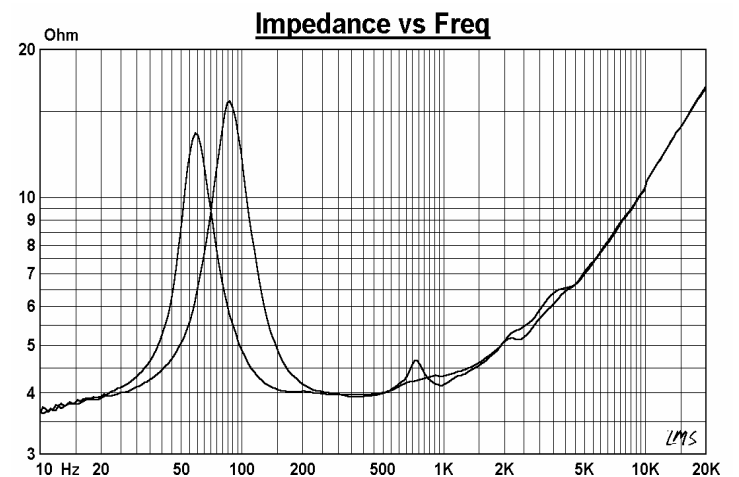
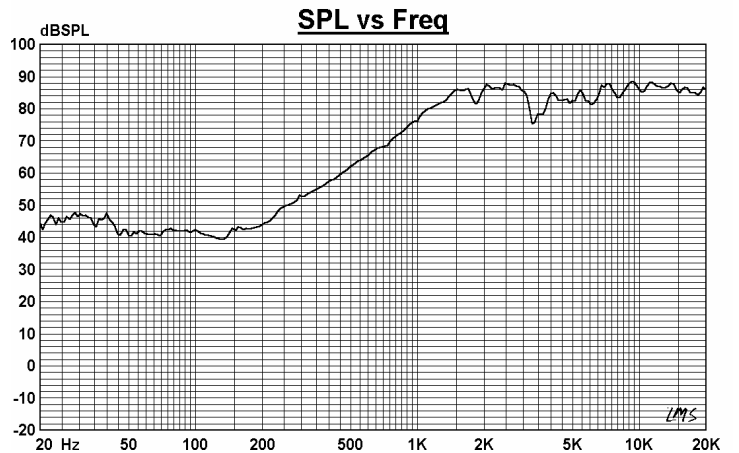
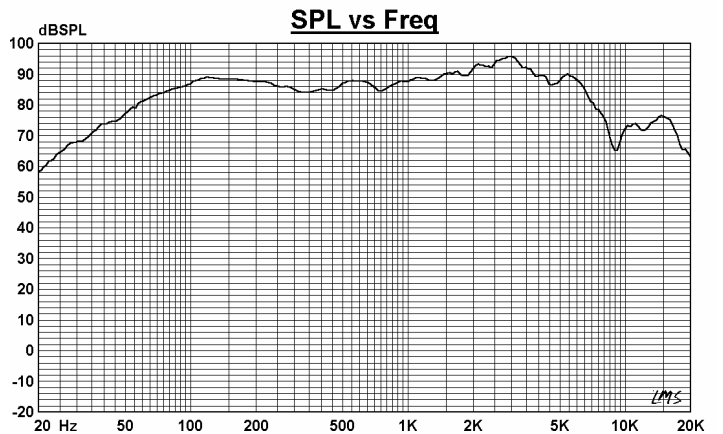
# MODEL:UP133C4-11F



## Specifications & Thiele/Small Parameters

Impedance	: 4 Ohm
Minimum Frequency Response	: 89 Hz
Reproduction Frequency Response	: Fo~20K
S.P.L.	: 88.582 dB/W(m)
Rated Input	: 20 W
Music Power	: 30 W
Equivalent Diagram Radius	: 55 mm
Equivalent Mass	: 5.105 g
Net Weight	: 335 g
Fs	: 87.421 Hz
Re	: 3.6 Ohm
Mms	: 5.637 g
BL	: 3.222 TM
Qts	: 0.816
Qms	: 3.395
Qes	: 1.074
Vas	: 7.535 Ltr
Xmax	: 2.75 mm
no	: 0.453 %

	WOOFER	TWEETER	
Material	Frame	Fe	ABS
	Cone	INJECTION P.P	SILK
	Surround	RUBBER	SILK
	Damper	COTTON	
	VC DIA	1"	0.8"
	Magnet	NEODYMIUM	



OEM & ODM WELCOME

GUI-SOUND ELECTRONICS INDUSTRIAL CO., LTD

<http://www.gui-sound.com>

E-mail: [sales@gui-sound.com](mailto:sales@gui-sound.com)