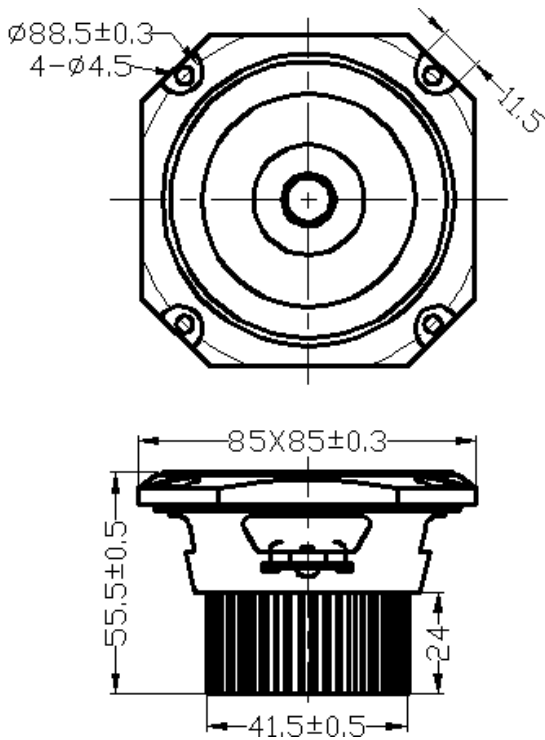


3" FULL RANGE

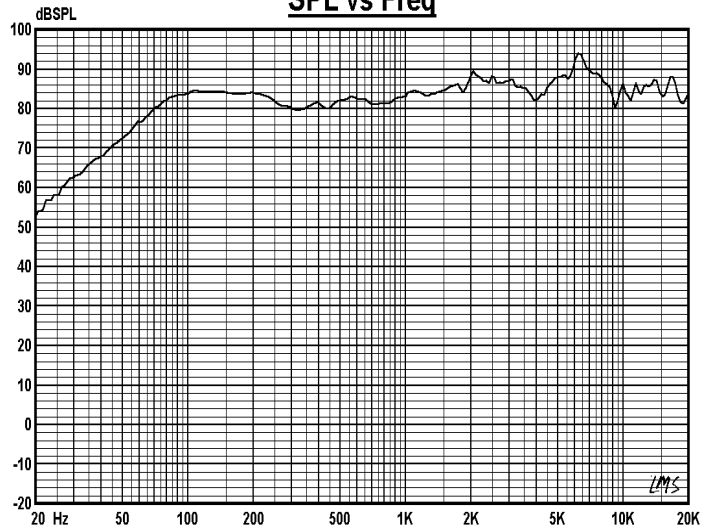
MODEL : UB85B4-12F



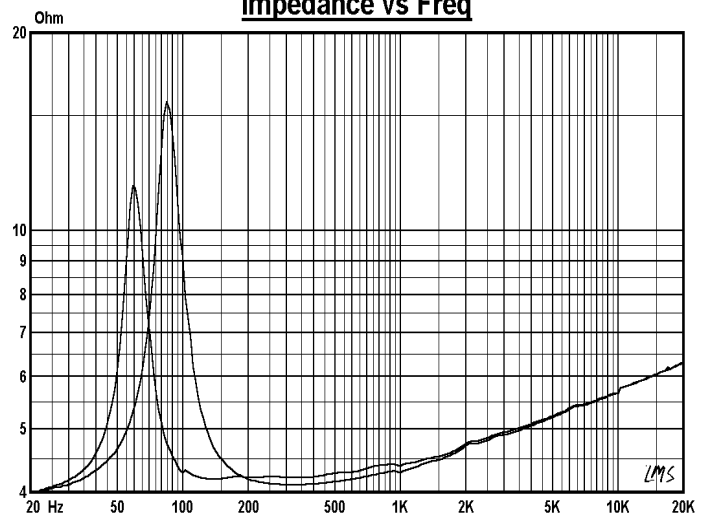
Specifications & Thiele/Small Parameters

Impedance	: 4 Ohm
Minimum Frequency Response	: 90Hz
Reproduction Frequency Response	: Fo~20 K
S.P.L.	: 82.215dB/W(m)
Rated Input	: 10W
Music Power	: 20W
Equivalent Diaphragm Radius	: 32 mm
Equivalent Mass	: 1.662 g
Net Weight	: 130 g
Fs	: 86.163 Hz
Re	: 3.6 Ohm
Mms	: 1.767 g
BL	: 1.44 TM
Qts	: 1.244
Qms	: 4.969
Qes	: 1.66
Vas	: 2.808 Ltr
Xmax	: 0.85 mm
no	: 0.105 %
Material	Frame : ABS
	Cone : PAPER
	Surround : PU
	Damper : CONEX
	VC DIA : 0.7"
	Magnet : NEODYMIUM

SPL vs Freq



Impedance vs Freq



OEM & ODM WELCOME

No. F03

GUI-SOUND ELECTRONICS INDUSTRIAL CO., LTD

<http://www.gui-sound.com>

E-mail: sales@gui-sound.com