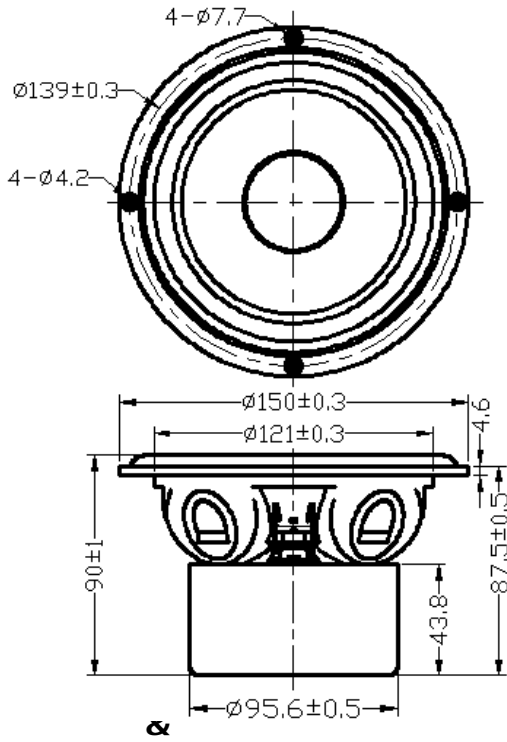


# 5.25" SHIELDED MID-Woofer

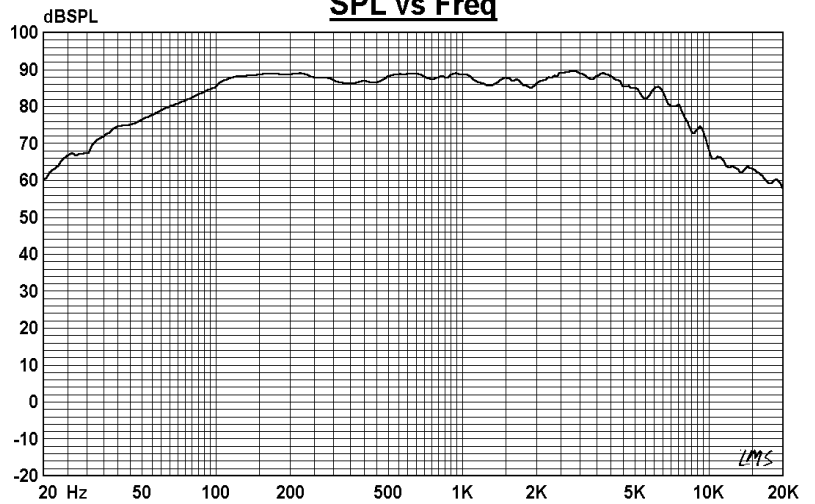
# MODEL:HR150B4-11L



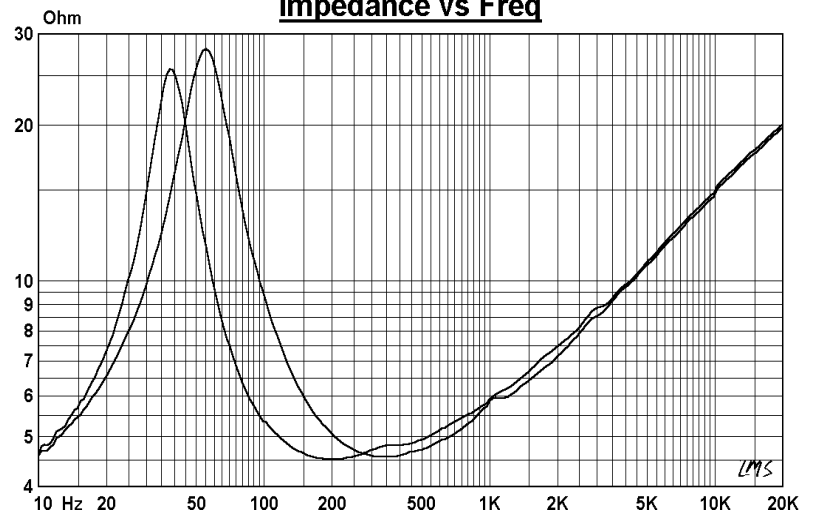
## Thiele/Small Parameters

Impedance	: 4 Ohm
Minimum Frequency Response	: 55 Hz
Reproduction Frequency Response	: Fo~8K
S.P.L.	: 89.22 dB/W(m)
Rated Input	: 25 W
Music Power	: 35 W
Equivalent Diagram Radius	: 55 mm
Equivalent Mass	: 9.226 g
Magnet Weight	: 664 g
Net Weight	: 1800 g
Fs	: 55.334 Hz
Re	: 3.6 Ohm
Mms	: 9.759 g
BL	: 6.003 TM
Qts	: 0.292
Qms	: 2.12
Qes	: 0.339
Vas	: 10.864 Ltr
Xmax	: 3.5 mm
no	: 0.525 %
Material	Frame : AL
	Cone : INJECTION P.P
	Surround : RUBBER
	Damper : CONEX
	VC DIA : 1.2"
Magnet	: 13.5 OZ 10 OZ

## SPL vs Freq



## Impedance vs Freq



OEM & ODM WELCOME

GUI-SOUND ELECTRONICS INDUSTRIAL CO., LTD

<http://www.gui-sound.com> E-mail: [sales@gui-sound.com](mailto:sales@gui-sound.com)