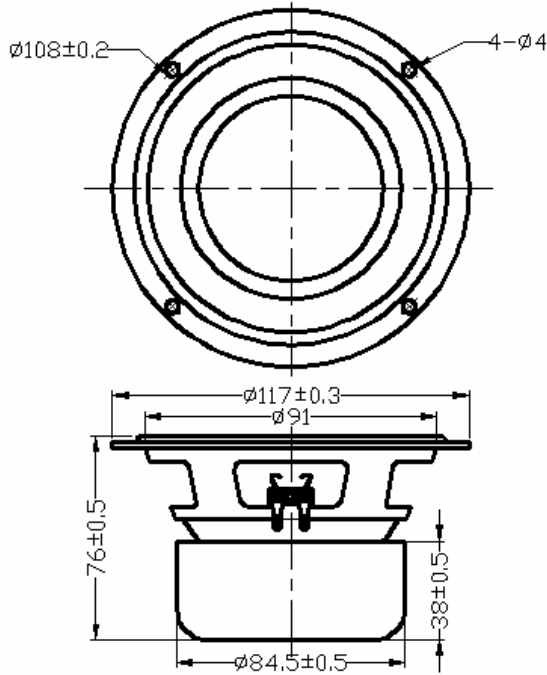


4" SHIELDED MID-Woofer

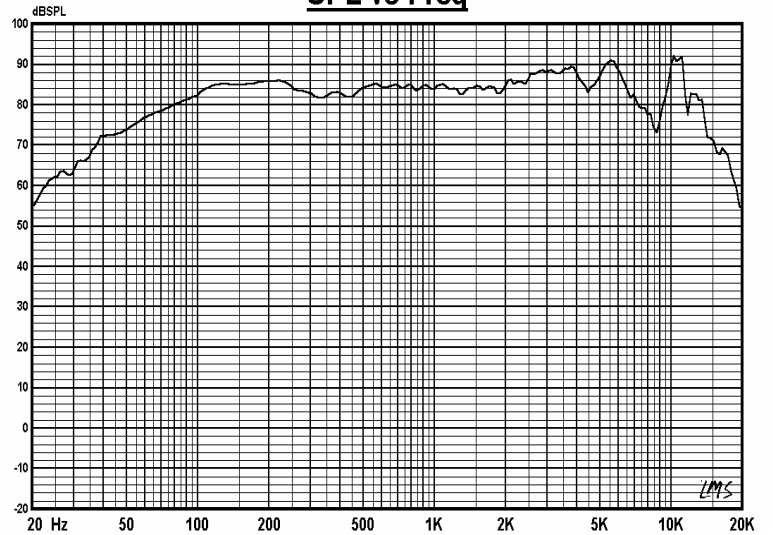
Model :HR117B8-10L



Specifications & Thiele/Small Parameter

Impedance	: 8 Ohm
Minimum Frequency Response	: 54Hz
Reproduction Frequency Response	: Fo~14K
S.P.L.	: 85.042 dB/W(m)
Rated Input	: 20 W
Music Power	: 30 W
Equivalent Diagram Radius	: 41 mm
Equivalent Mass	: 6.826 g
Magnet Weight	: 370 g
Net Weight	: 950g
Fs	: 53.953Hz
Re	: 7.2 Ohm
Mms	: 7.148 g
BL	: 5.37 TM
Qts	: 0.526
Qms	: 4.037
Qes	: 0.605
Vas	: 7.993 Ltr
Xmax	: 3mm
no	: 0.201%
Material	Frame : Fe
	Cone : AL
	Surround : RUBBER
	Damper : CONEX
	VC DIA : 1"
	Magnet : 8.05 oz 5.02oz

SPL vs Freq



Impedance vs Freq

