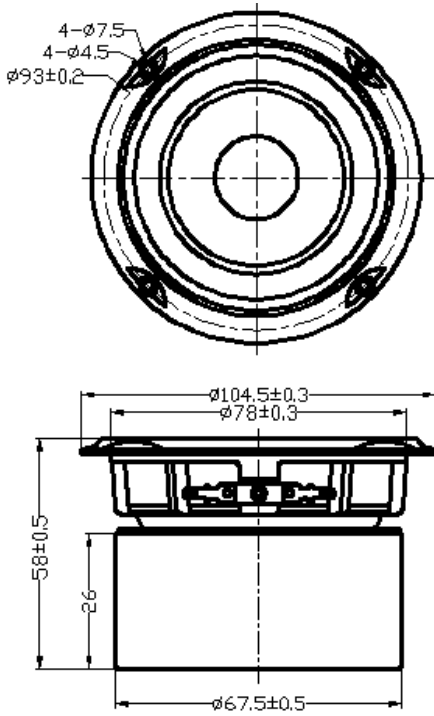


4" MID-Woofer

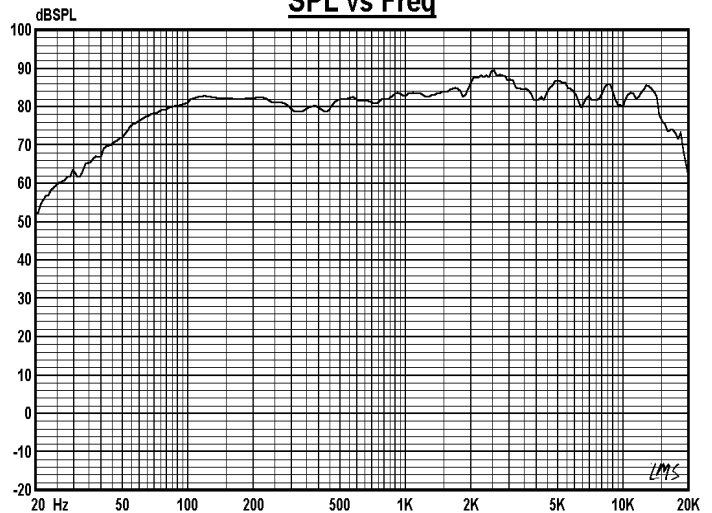
Model :HR104B8-10L



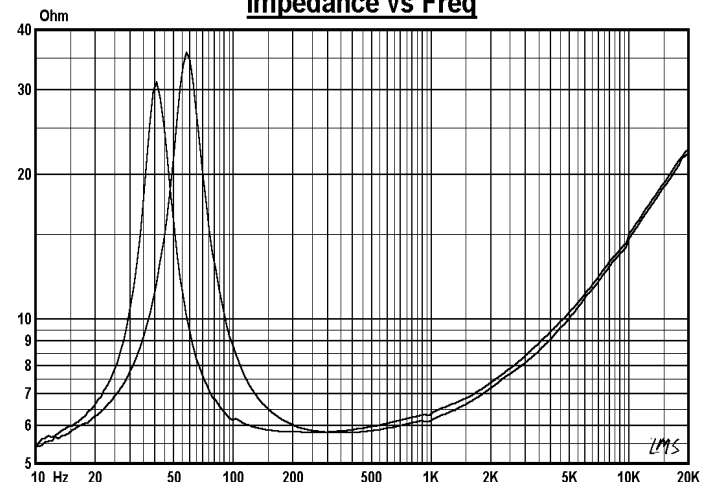
Specifications & Thiele/Small Parameter

Impedance	: 8 Ohm
Minimum Frequency Response	: 60Hz
Reproduction Frequency Response	: Fo~18K
S.P.L.	: 81.582 dB/W(m)
Rated Input	: 10 W
Music Power	: 20 W
Equivalent Diaphragm Radius	: 31 mm
Equivalent Mass	: 2.892 g
Magnet Weight	: 197g
Net Weight	: 505g
Fs	: 58.783Hz
Re	: 6.2 Ohm
Mms	: 2.996 g
BL	: 2.781 TM
Qts	: 0.643
Qms	: 3.838
Qes	: 0.773
Vas	: 3.558 Ltr
Xmax	: 1.75mm
no	: 0.09%
Material	Frame : Cast
	Cone : Wooden
	Surround : RUBBER
	Damper : CONEX
	VC DIA : 0.8"
Magnet	: 4.28 OZ 2.66OZ

SPL vs Freq



Impedance vs Freq



OEM & ODM WELCOME

GUI-SOUND ELECTRONICS INDUSTRIAL CO.,LTD

<http://www.gui-sound.com> E-mail: sales@gui-sound.com