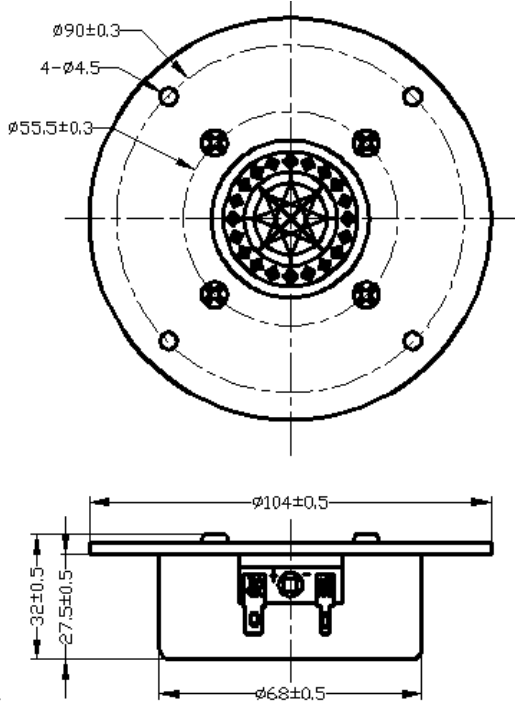


# 1" DOME TWEETER

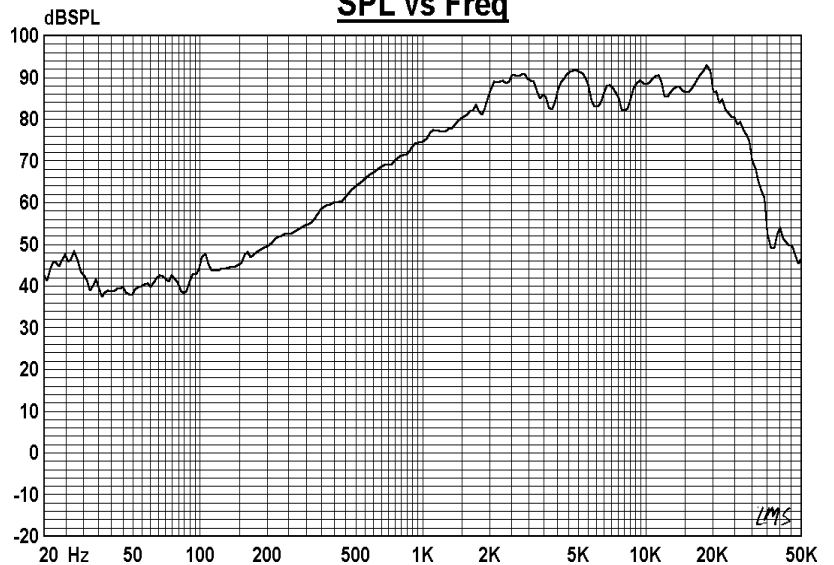
MODEL: HR104B6-13T



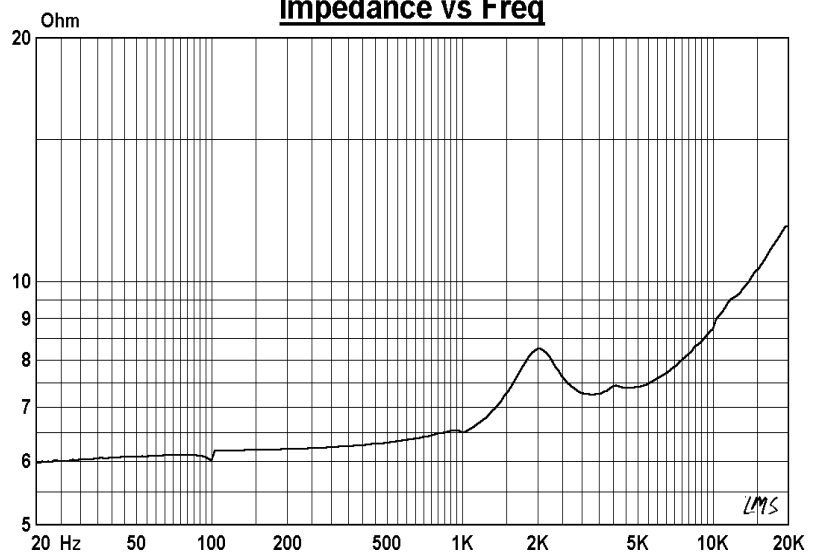
## Specifications & Thiele/Small Parameters

Impedance	: 6 Ohm
Minimum Frequency Response	: 2000 Hz
Reproduction Frequency Response	: Fo~25K
S.P.L.	: 86 dB/W(m)
Rated Input	: 20 W
Music Power	: 30W
Equivalent Diaphragm Radius	:
Equivalent Mass	:
Magnet Weight	: 201g
Net Weight	: 410 g
Fs	:
Re	: 5.8 Ohm
Mms	:
BL	:
Qts	:
Qms	:
Qes	:
Vas	:
Xmax	: 0.5mm
no	:
Material	:
Frame	: ABS
Cone	: TITANIUM
Surround	:
Damper	:
VC DIA	: 1"
Magnet	: 4.28 OZ 2.85 OZ

SPL vs Freq



Impedance vs Freq



OEM & ODM WELCOME

GUI-SOUND ELECTRONICS INDUSTRIAL CO., LTD

<http://www.gui-sound.com> E-mail: [sales@gui-sound.com](mailto:sales@gui-sound.com)