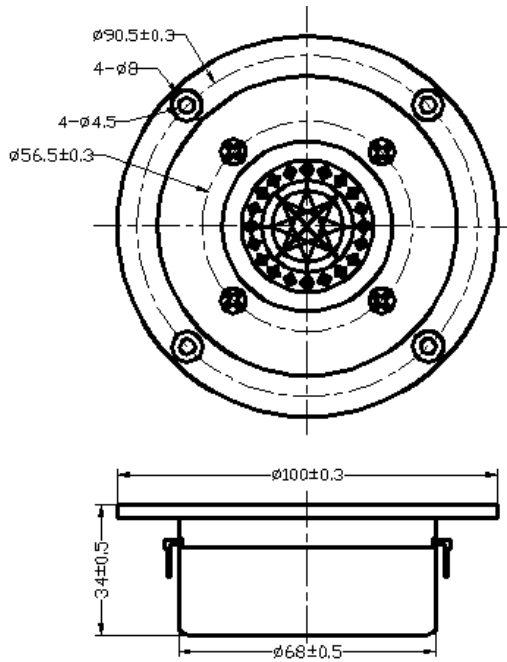


1" DOME TWEETER

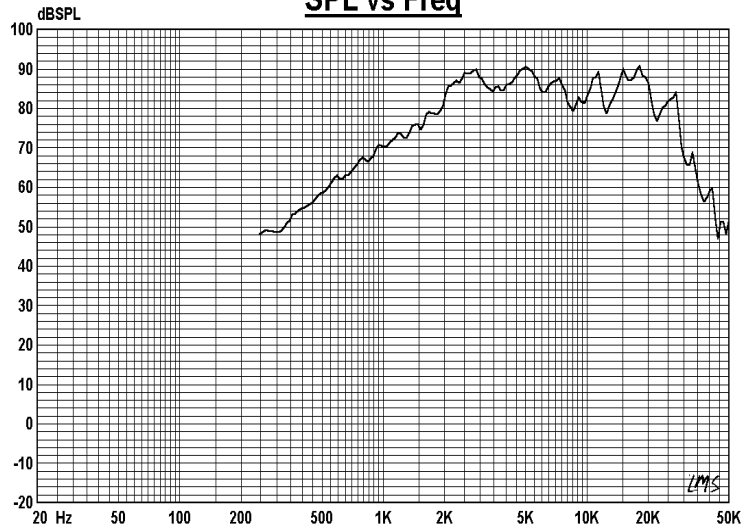
MODEL: HR100B6-11T



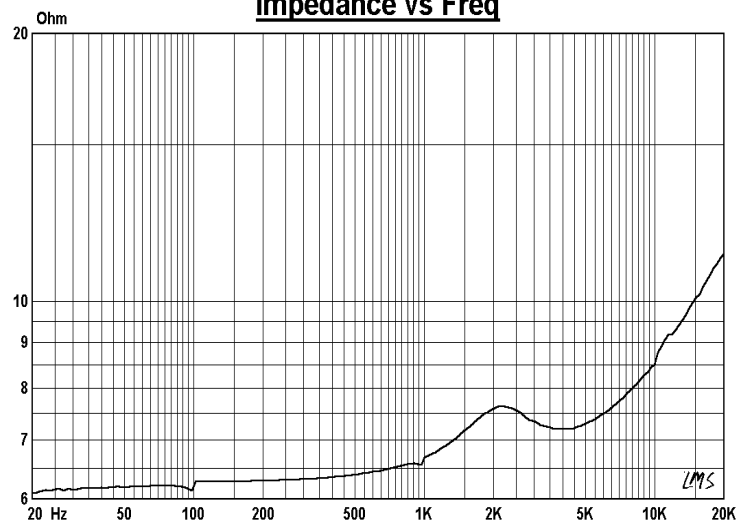
Specifications & Thiele/Small Parameters

Impedance	: 6 Ohm	
Minimum Frequency Response	: 2100 Hz	
Reproduction Frequency Response	: Fo~25K	
S.P.L.	: 86 dB/W(m)	
Rated Input	: 20 W	
Music Power	: 30W	
Equivalent Diagram Radius	:	
Equivalent Mass	:	
Magnet Weight	: 201g	
Net Weight	: 410 g	
Fs	:	
Re	: 5.8 Ohm	
Mms	:	
BL	:	
Qts	:	
Qms	:	
Qes	:	
Vas	:	
Xmax	: 0.5mm	
no	:	
Material	Frame	: ABS
	Cone	: TITANIUM
	Surround	:
	Damper	:
	VC DIA	: 1"
Magnet	: 4.28 OZ 2.85 OZ	

SPL vs Freq



Impedance vs Freq



OEM & ODM WELCOME

GUI-SOUND ELECTRONICS INDUSTRIAL CO.,LTD

<http://www.gui-sound.com> E-mail: sales@gui-sound.com