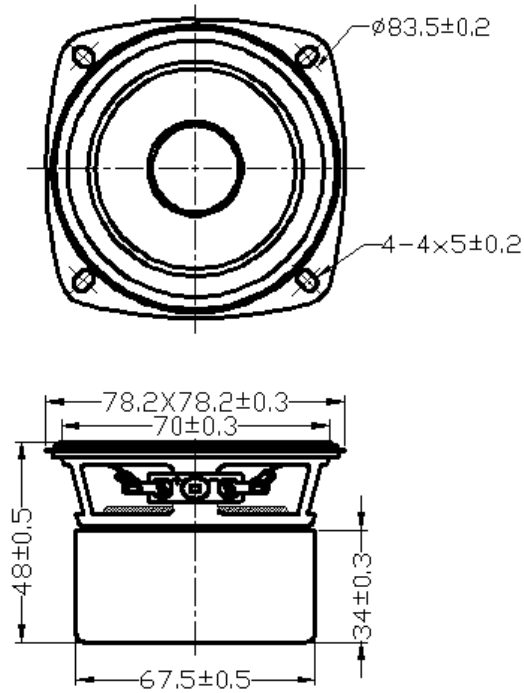


3" SHIELDED DRIVER

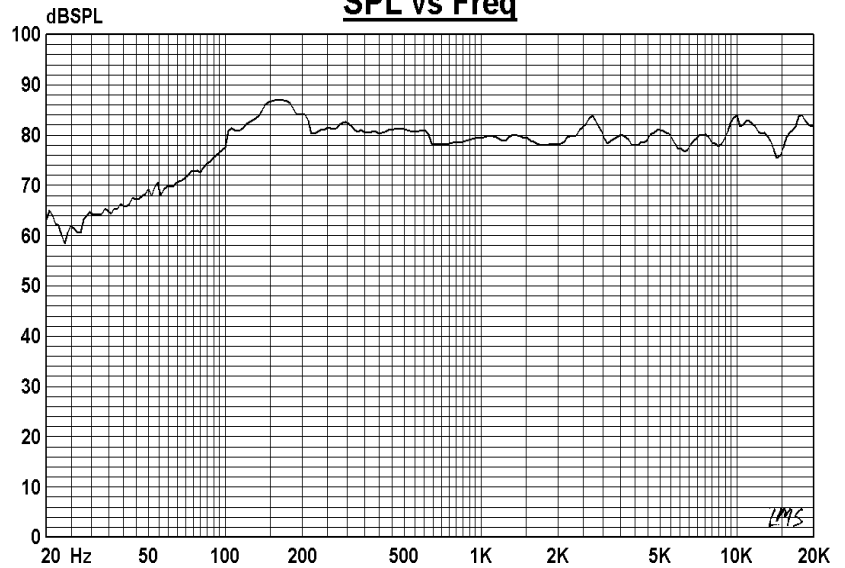
Model:HP78B8-21L



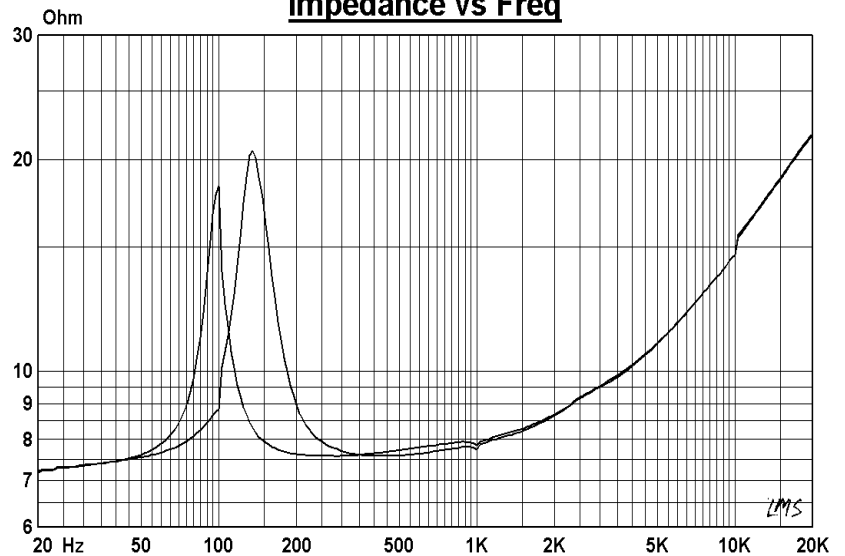
Specifications & Thiele/Small Parameters

Impedance	: 8 Ohm
Minimum Frequency Response	: 137 Hz
Reproduction Frequency Response	: Fo~20K
S.P.L.	: 82.0 dB/W(m)
Rated Input	: 10 W
Music Power	: 15 W
Equivalent Diaphragm Radius	: 31 mm
Equivalent Mass	: 2.09 g
Magnet Weight	: 176 g
Net Weight	: 400 g
Fs	: 137.8 Hz
Re	: 7.2 Ohm
Mms	: 2.106 g
BL	: 2.36TM
Qts	: 1.487
Qms	: 4.135
Qes	: 2.321
Vas	: 0.920 Ltr
Xmax	: 1.4 mm
no	: 0.100 %
Material	Frame : Fe
	Cone : AL
	Surround : RUBBER
	Damper : CONEX
	VC DIA : 0.5"
Magnet	: 3.5oz 2.6oz

SPL vs Freq



Impedance vs Freq



OEM & ODM WELCOME

GUI-SOUND ELECTRONICS INDUSTRIAL CO., LTD

<http://www.gui-sound.com> E-mail: sales@gui-sound.com