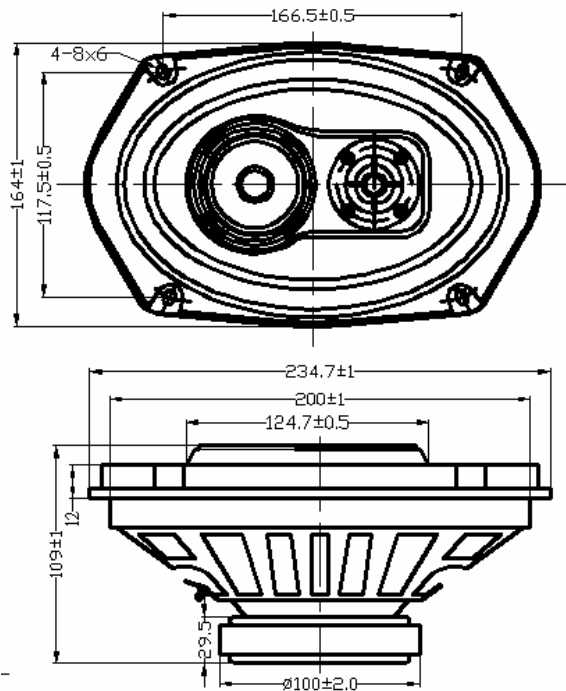


# 6" x 9" COAXIAL SPEAKER

Model :FY234x164B4-10F



## Specifications & Thiele/Small Parameters

Impedance	: 4 Ohm		
Minimum Frequency Response	: 66Hz		
Reproduction Frequency Response	: Fo~20K		
S.P.L.	: 88.787 dB/W(m)		
Rated Input	: 30 W		
Music Power	: 50 W		
Equivalent Diagram Radius	: 101x65 mm		
Equivalent Mass	: 19.413 g		
Magnet Weight	: 626 g		
Net Weight	: 1645 g		
Fs	: 66.31 Hz		
Re	: 3.4 Ohm		
Mms	: 21.188 g		
BL	: 5.399 TM		
Qts	: 0.913		
Qms	: 8.101		
Qes	: 1.030		
Vas	: 17.352 Ltr		
Xmax	: 2.0 mm		
no	: 0.500%		
Material	Frame	WOOFER Fe	TWEETER ABS
	Cone	INJECTION P.P	MYLAR
	Surround	RUBBER	
	Damper	COTTON	
	VC DIA	1"	0.5"
	Magnet	22 oz	1.7 oz 1.2 oz

