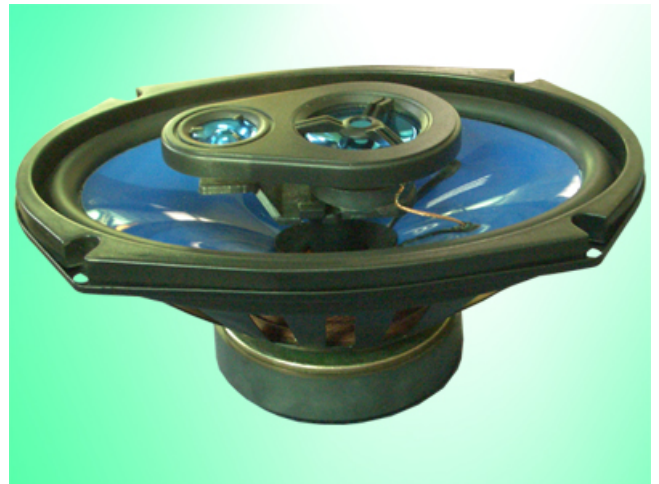
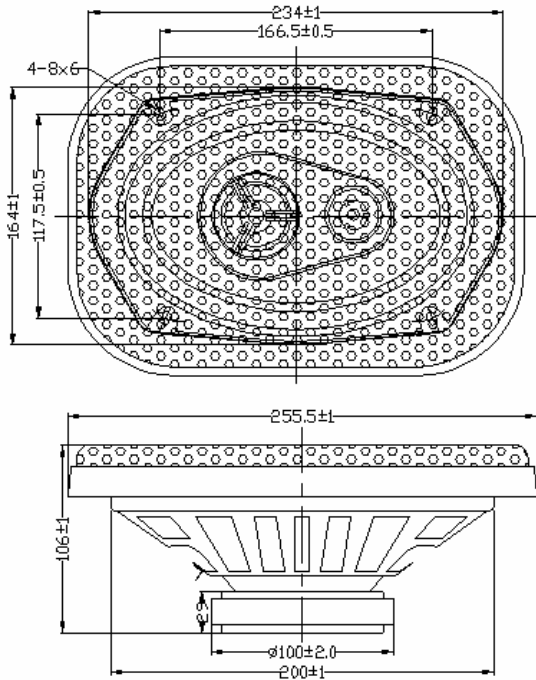


6" x 9" COAXIAL SPEAKER

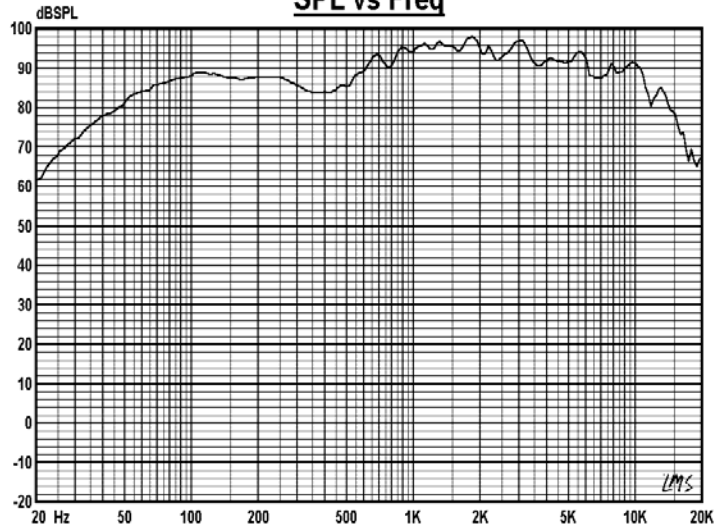
Model :FY234×164B4-11F



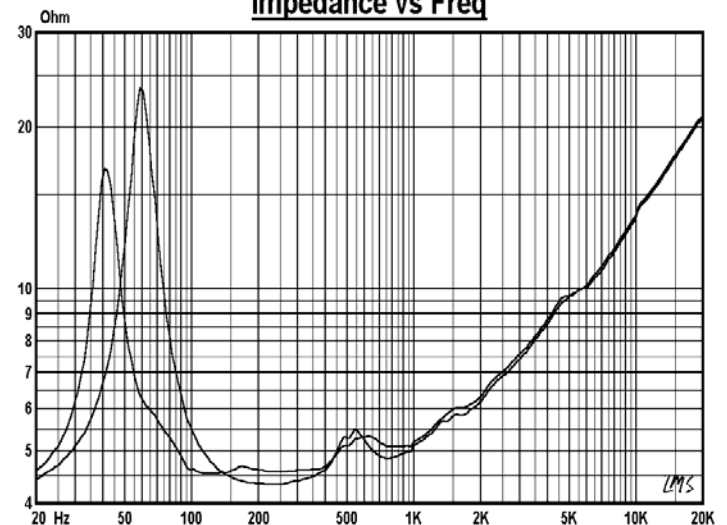
Specifications & Thiele/Small Parameters

Impedance	: 4 Ohm	
Minimum Frequency Response	: 60Hz	
Reproduction Frequency Response	: Fo~15K	
S.P.L.	: 90.08 dB/W(m)	
Rated Input	: 30 W	
Music Power	: 50 W	
Equivalent Diaphragm Radius	: 101x65 mm	
Equivalent Mass	: 13.446 g	
Magnet Weight	: 626 g	
Net Weight	: 1745 g	
Fs	: 59.942 Hz	
Re	: 3.6 Ohm	
Mms	: 15.17 g	
BL	: 4.705 TM	
Qts	: 0.766	
Qms	: 4.377	
Qes	: 0.929	
Vas	: 28.549 Ltr	
Xmax	: 2.0 mm	
no	: 0.600%	
	WOOFER	TWEETER
Frame	Fe	ABS
Cone	INJECTION P.P	MYLAR
Surround	RUBBER	MYLAR
Damper	CONEX+COTTON	
VC DIA	1"	0.5"
Magnet	22 oz	NEODYMIUM

SPL vs Freq



Impedance vs Freq



OEM & ODM WELCOME

NO.C05

GUI-SOUND ELECTRONICS INDUSTRIAL CO., LTD

<http://www.gui-sound.com>

E-mail: sales@gui-sound.com