

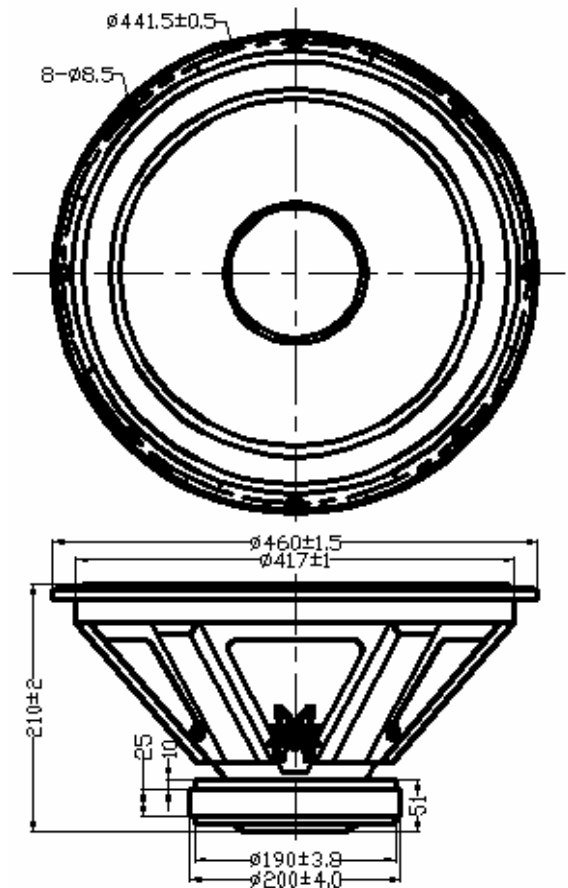
18" Pro Woofer

MODEL : FR460B4-10L



Specifications & Thiele/Small Parameters

Impedance	: 4 Ohm	
Minimum Frequency Response	: 25Hz	
Reproduction Frequency Response	: Fo~3K	
S.P.L.	: 96.682dB/W(m)	
Rated Input	: 400 W	
Music Power	: 480 W	
Equivalent Diaphragm Radius	: 210mm	
Equivalent Mass	: 146.835 g	
Magnet Weight	: 2739g	
Net Weight	: 9092g	
Fs	: 25.204Hz	
Re	: 3.5 Ohm	
Mms	: 172.369g	
BL	: 18.698TM	
Qts	: 0.255	
Qms	: 3.74	
Qes	: 0.273	
Vas	: 516.556Ltr	
Xmax	: 4mm	
no	: 2.927 %	
Material	Frame	: Fe
	Cone	: PAPER
	Surround	: RUBBER
	Damper	: CONEX
	Voice	: 3.0"
	Magnet	: 96.6oz



OEM& ODM WELCOME

GUI-SOUND ELECTRONICS INDUSTRIES CO., LTD

<http://www.gui-sound.com>

E-mail: sales@gui-sound.com