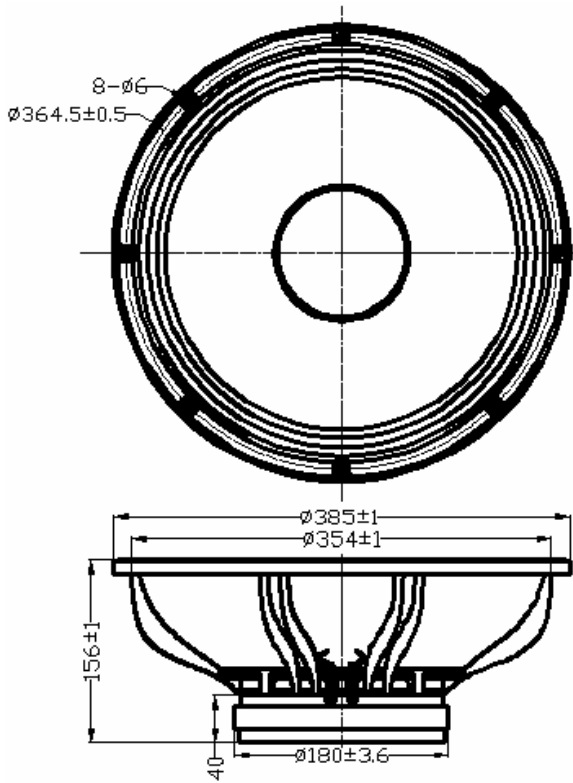


# 15" SubWoofer

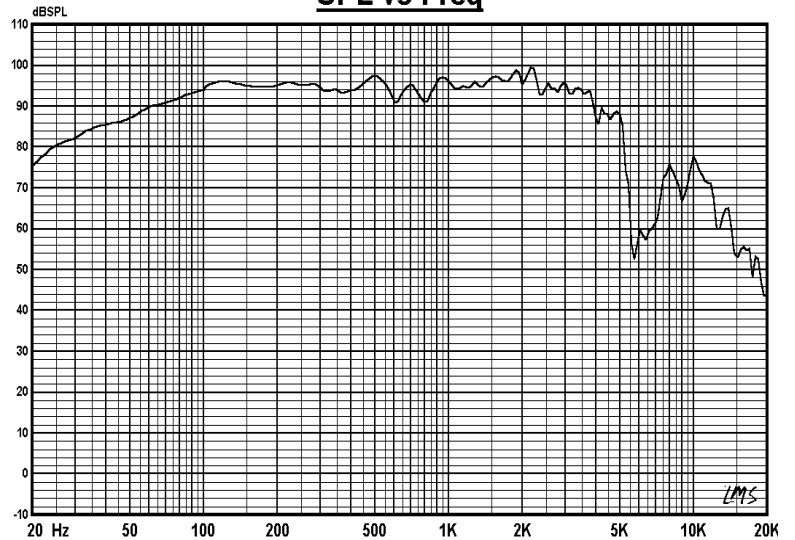
MODEL :FR385B8-14L



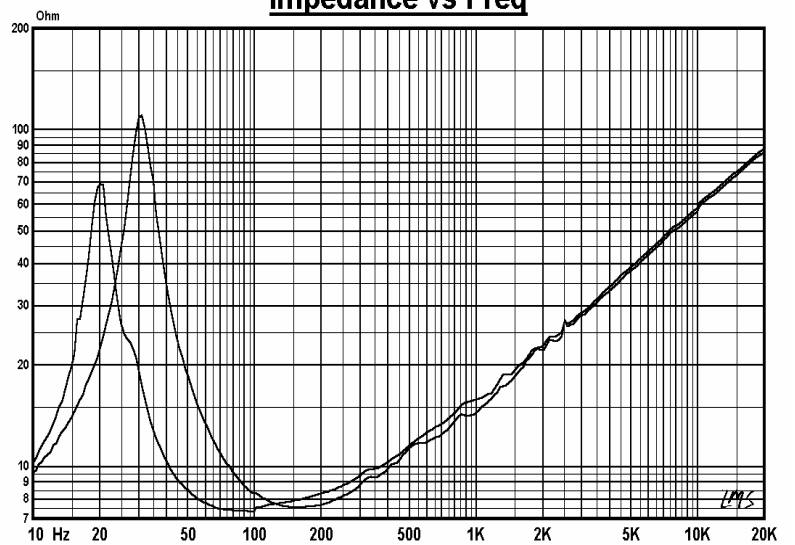
## Specifications & Thiele/Small Parameters

Impedance	: 8 Ohm
Minimum Frequency Response	: 30Hz
Reproduction Frequency Response	: Fo~4K
S.P.L.	: 98.128dB/W(m)
Rated Input	: 300 W
Music Power	: 500 W
Equivalent Diagram Radius	: 165 mm
Equivalent Mass	: 77.187 g
Magnet Weight	: 2042 g
Net Weight	: 7200g
Fs	: 30.499Hz
Re	: 6.8 Ohm
Mms	: 91.335 g
BL	: 17.116 TM
Qts	: 0.379
Qms	: 5.69
Qes	: 0.406
Vas	: 303.006 Ltr
Xmax	: 6 mm
no	: 0.2046 %
Material	Frame : Cast
	Cone : PAPER
	Surround : FABRIC
	Damper : CONEX
	Voice : 3"
Magnet	: 72 oz

SPL vs Freq



Impedance vs Freq



OEM& ODM WELCOME

GUI-SOUND ELECTRONICS INDUSTRIAL CO.,LTD

<http://www.gui-sound.com> E-mail: [sales@gui-sound.com](mailto:sales@gui-sound.com)