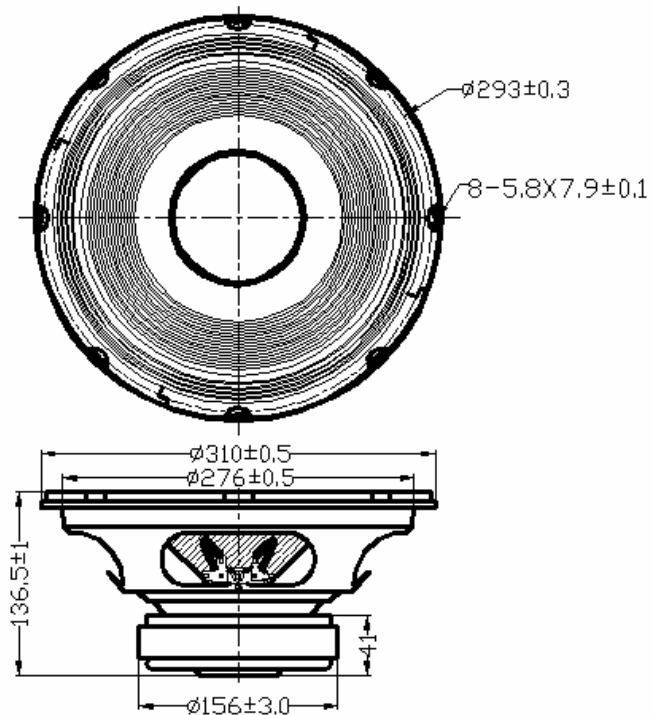


# 12" PRO-Woofer

MODEL: FR310B8-11W

## Specifications & Thiele/Small Parameters

Impedance	: 8 Ohm	
Minimum Frequency Response	: 48Hz	
Reproduction Frequency Response	: Fo~2K	
S.P.L.	: 94.8dB/W(m)	
Rated Input	: 120 W	
Music Power	: 180W	
Equivalent Diaphragm Radius	: 135 mm	
Equivalent Mass	: 39.176g	
Magnet Weight	: 1408g	
Net Weight	: 4245g	
Fs	: 48.049Hz	
Re	: 6.8 Ohm	
Mms	: 45.72 g	
BL	: 13.813 TM	
Qts	: 0.445	
Qms	: 4.703	
Qes	: 0.492	
Vas	: 87.249 Ltr	
Xmax	: 4 mm	
no	: 1.900%	
Material	Frame	: Fe
	Cone	: PAPER
	Surround	: FABRIC
	Damper	: CONEX
	VC DIA	: 1.9"
	Magnet	: 49.6 oz



OEM& ODM WELCOME

GUI-SOUND ELECTRONICS INDUSTRIES CO., LTD

<http://www.gui-sound.com>

E-mail: [sales@gui-sound.com](mailto:sales@gui-sound.com)

GSPV5.9