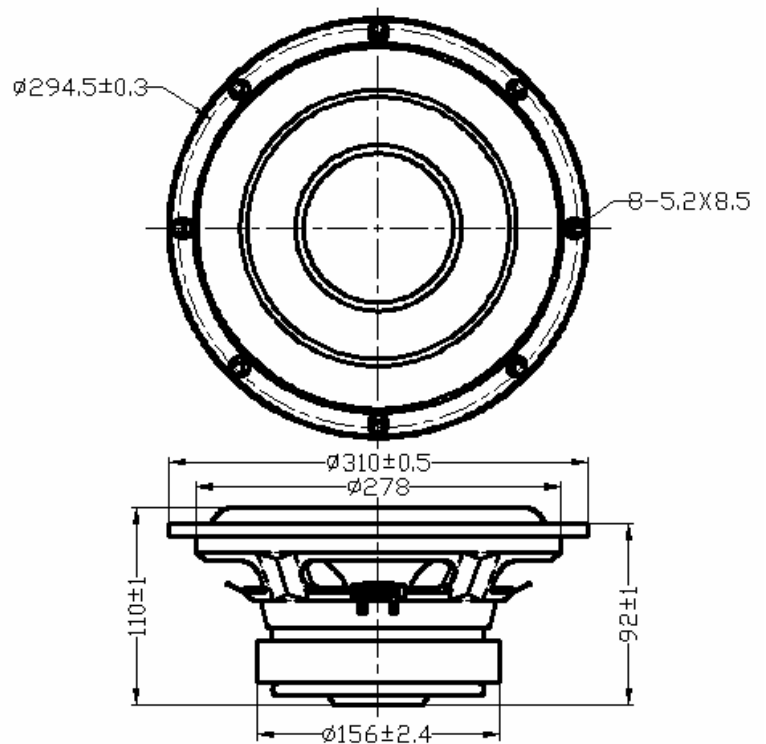


12" SubWoofer

MODEL :FR310B4-16L

Specifications & Thiele/Small Parameters

Impedance	: 4 Ohm
Minimum Frequency Response	: 27Hz
Reproduction Frequency Response	: Fo~2.5K
S.P.L.	: 86.9dB/W(m)
Rated Input	: 70W
Music Power	: 90W
Equivalent Diaphragm Radius	: 126mm
Equivalent Mass	: 158.048 g
Magnet Weight	: 1628 g
Net Weight	: 4550 g
Fs	: 27.372 Hz
Re	: 3.8 Ohm
Mms	: 164.593 g
BL	: 15.065TM
Qts	: 0.439
Qms	: 5.948
Qes	: 0.474
Vas	: 74.679 Ltr
Xmax	: 5 mm
no	: 0.312 %
Material	Frame : Fe
	Cone : AL
	Surround : RUBBER
	Damper : CONEX
	VC DIA : 1.9"
Magnet : 57.4 oz	



GUI-SOUND ELECTRONICS INDUSTRIAL CO., LTD
www.gui-sound.com E-Mail: sales@gui-sound.com
 OEM&ODM Welcome

GSPV5.9