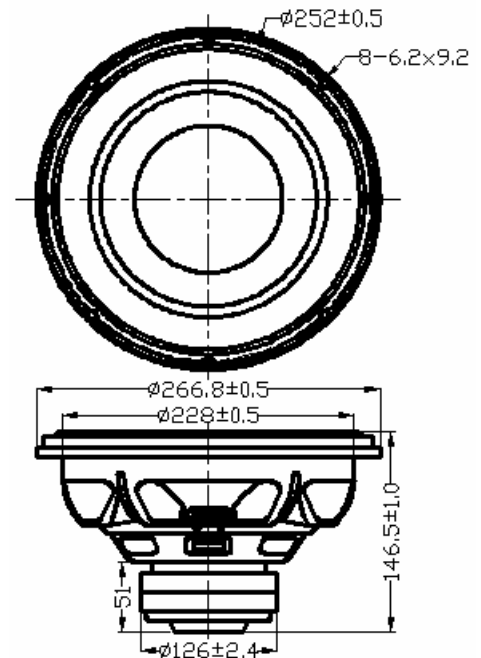


10" SubWoofer

MODEL: FR266B4-12L

Specifications & Thiele/Small Parameters

Impedance	: 4 Ohm	
Minimum Frequency Response	: 28 HZ	
Reproduction Frequency Response	: Fo~4K	
S.P.L.	: 85.564dB/W(m)	
Rated Input	: 150 W	
Music Power	: 250W	
Equivalent Diaphragm Radius	: 170 mm	
Equivalent Mass	: 94.038g	
Magnet Weight	: 1633g	
Net Weight	: 3540g	
Fs	: 28.717Hz	
Re	: 3.5 Ohm	
Mms	: 97.867g	
BL	: 10.456 TM	
Qts	: 0.507	
Qms	: 4.889	
Qes	: 0.565	
Vas	: 55.848 Ltr	
Xmax	: 8mm	
no	: 0.226	
Material	Frame	: Fe
	Cone	: INJECTION P.P TALC CARBON CERAMIC
	Surround	: RUBBER
	Damper	: CONEX
	VC DIA	: 1.9"
	Magnet	: 25.5 OZ x2



GUI-SOUND ELECTRONICS INDUSTRIAL CO., LTD
www.gui-sound.com E-Mail: sales@gui-sound.com
OEM&ODM Welcome

GSPV5.9