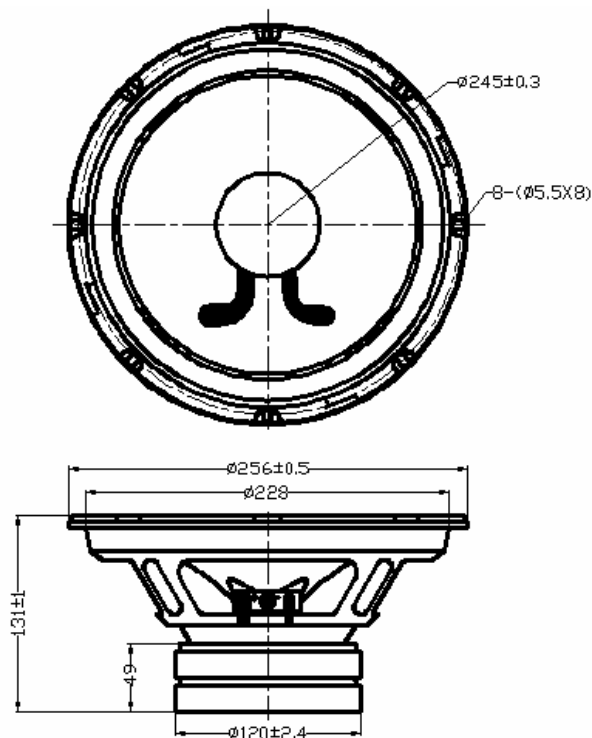


# 10" SUB-Woofer

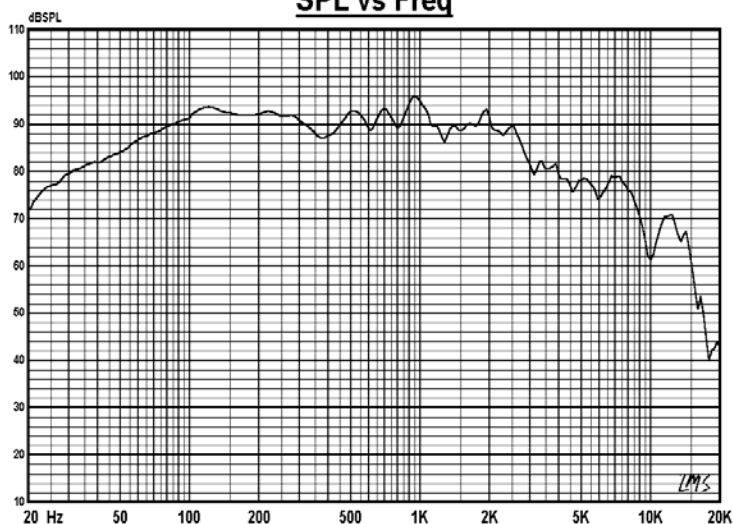
MODEL :FR256B6-14L



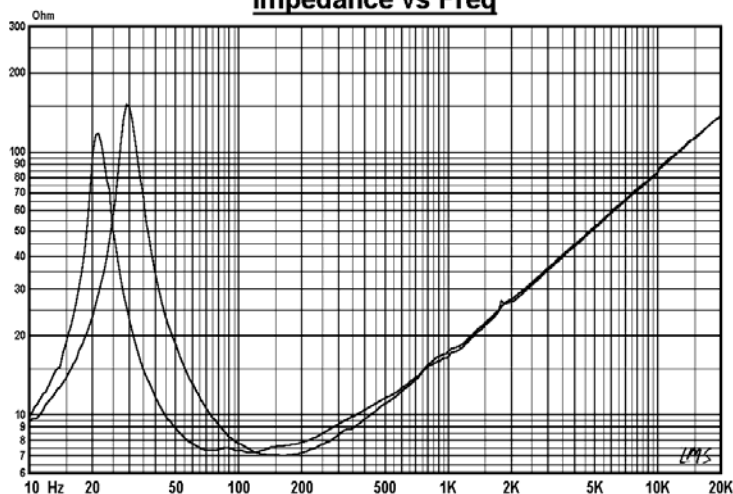
## Specifications & Thiele/Small Parameters

Impedance	: 6 Ohm
Minimum Frequency Response	: 30Hz
Reproduction Frequency Response	: Fo~3K
S.P.L.	: 92.668dB/W(m)
Rated Input	: 100 W
Music Power	: 150 W
Equivalent Diagram Radius	: 105mm
Equivalent Mass	: 33.383 g
Magnet Weight	: 1408 g
Net Weight	: 3125 g
Fs	: 30.169 Hz
Re	: 5.8 Ohm
Mms	: 37.212 g
BL	: 11.596 TM
Qts	: 0.292
Qms	: 7.108
Qes	: 0.304
Vas	: 133.084 Ltr
Xmax	: 3.5mm
no	: 1.2%
Material	Frame : Fe
	Cone : PAPER
	Surround : FAOM
	Damper : CONEX+COTTON
	Voice : 2"
Magnet	: 30oz 19.7oz

SPL vs Freq



Impedance vs Freq



OEM& ODM WELCOME

GUI-SOUND ELECTRONICS INDUSTRIAL CO.,LTD

<http://www.gui-sound.com> E-mail: [sales@gui-sound.com](mailto:sales@gui-sound.com)