

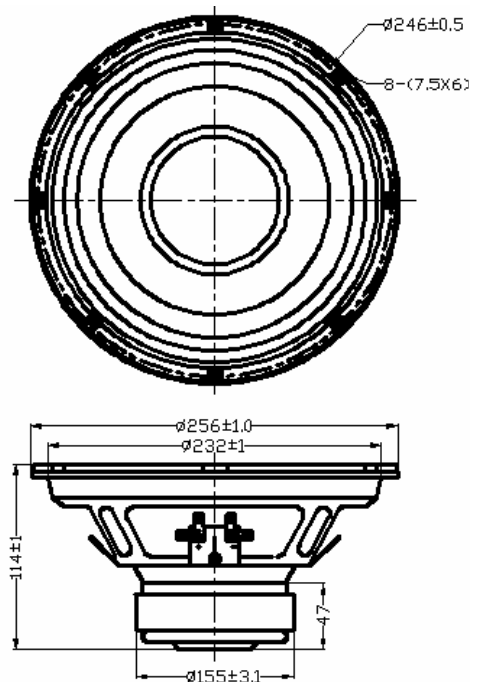
10" PRO-Woofer

MODEL: FR256B4-19L

Specifications & Thiele/Small Parameters



| | |
|---------------------------------|-------------------|
| Impedance | : 4 Ohm |
| Minimum Frequency Response | : 45 Hz |
| Reproduction Frequency Response | : Fo~2K |
| S.P.L. | : 93.828dB/W(m) |
| Rated Input | : 100 W |
| Music Power | : 150W |
| Equivalent Diaphragm Radius | : 104 mm |
| Equivalent Mass | : 26.455 g |
| Magnet Weight | : 1604 g |
| Net Weight | : 4945g |
| Fs | : 44.664 Hz |
| Re | : 3.6 Ohm |
| Mms | : 30.285 g |
| BL | : 9.533 TM |
| Qts | : 0.312 |
| Qms | : 4.299 |
| Qes | : 0.337 |
| Vas | : 74.614 Ltr |
| Xmax | : 1.75 mm |
| no | : 1.91% |
| Material | Frame : Fe |
| | Cone : PAPER |
| | Surround : FABRIC |
| | Damper : COTTON |
| | VC DIA : 2.3" |
| Magnet | : 56.5 oz |



OEM& ODM WELCOME

GUI-SOUND ELECTRONICS INDUSTRIES CO., LTD

<http://www.gui-sound.com>

E-mail: sales@gui-sound.com

GSPV5.9