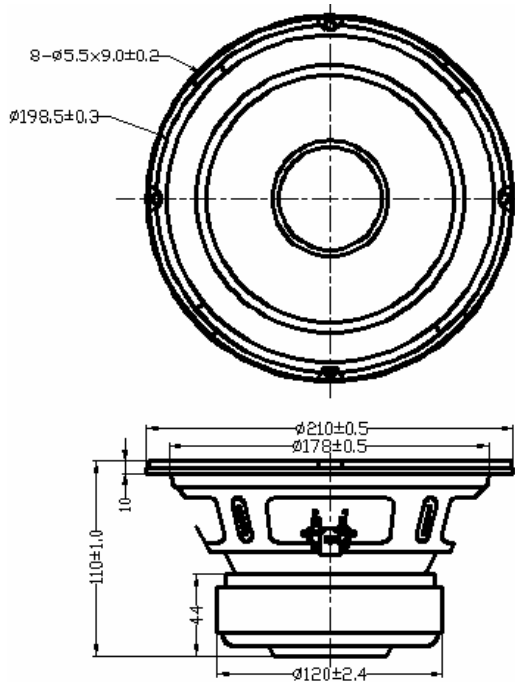


8" MID-Woofer

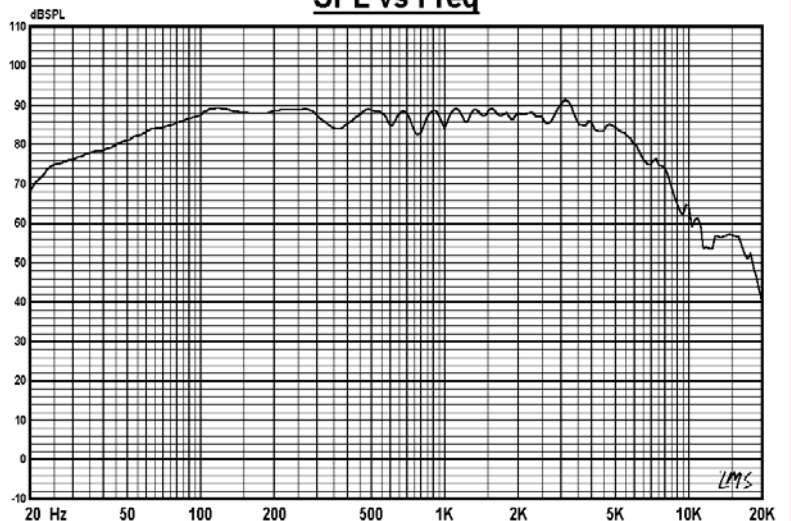
Model :FR210B6-12L



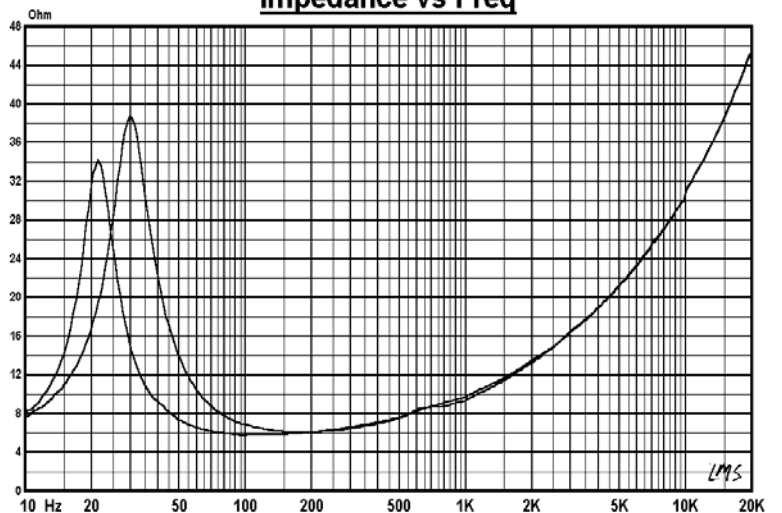
Specifications & Thiele/Small Parameter

Impedance	: 6 Ohm
Minimum Frequency Response	: 30Hz
Reproduction Frequency Response	: Fo~6K
S.P.L.	: 87.86 dB/W(m)
Rated Input	: 50 W
Music Power	: 60 W
Equivalent Diaphragm Radius	: 83 mm
Equivalent Mass	: 27.199g
Magnet Weight	: 764g
Net Weight	: 2330g
Fs	: 30.339Hz
Re	: 5.6 Ohm
Mms	: 28.924 g
BL	: 8.371 TM
Qts	: 0.376
Qms	: 2.578
Qes	: 0.441
Vas	: 58.45 Ltr
Xmax	: 5 mm
no	: 0.358%
Material	Frame : Fe
	Cone : P.P
	Surround : BUTY RUBBER
	Damper : COTTON
	VC DIA : 1.5"
Magnet	: 26.9 OZ

SPL vs Freq



Impedance vs Freq



OEM& ODM WELCOME

GUI-SOUND ELECTRONICS INDUSTRIAL CO., LTD

<http://www.gui-sound.com> E-mail: sales@gui-sound.com