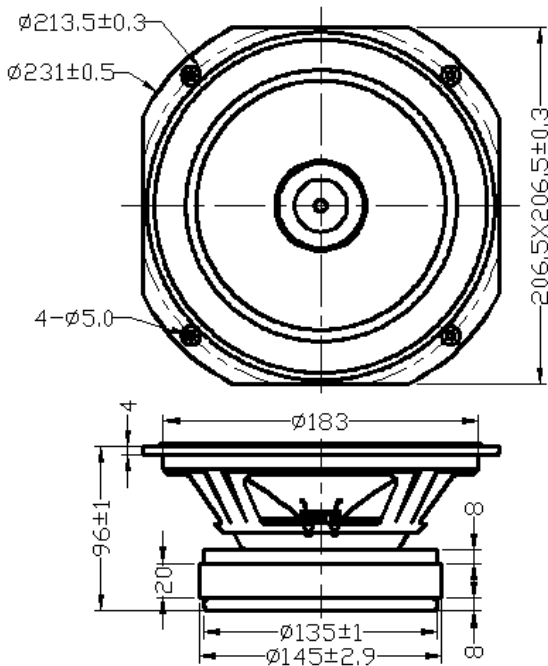


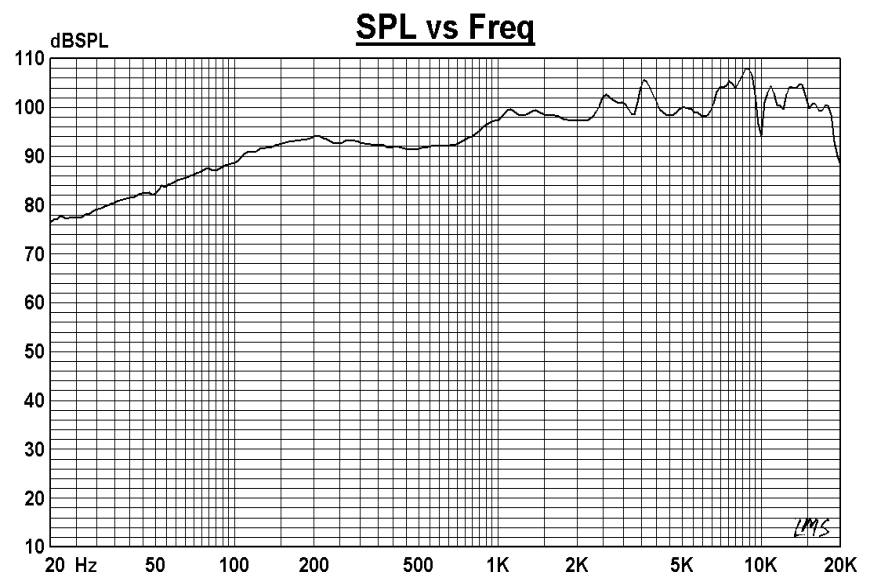
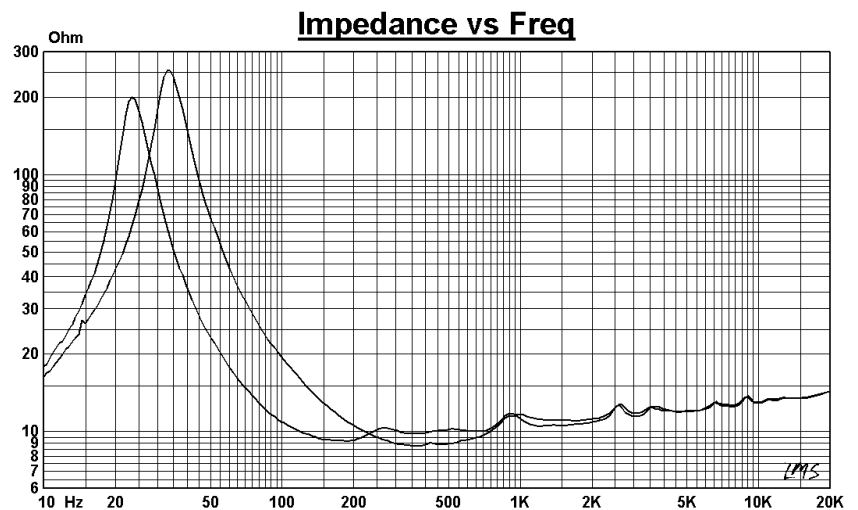
8" Full Range Speaker unit

FR208B8-20L (Bamboo fiber)



Specifications & Thiele/Small Parameters

Impedance	: 8 Ohm
Minimum Frequency Response	: 34Hz
Reproduction Frequency Response	: Fo~15K
S.P.L.	: 96.5dB/W(m)
Rated Input	: 30 W
Music Power	: 50 W
Equivalent Diaphragm Radius	: 88 mm
Equivalent Mass	: 10.25g
Magnet Weight	: 1400g
Net Weight	: 3540g
Fs	: 34.5Hz
Re	: 7.2 Ohm
Mms	: 12.2 g
BL	: 11.28 TM
Qts	: 0.146
Qms	: 5.135
Qes	: 0.150
Vas	: 106.47 Ltr
Xmax	: 2.0 mm
no	: 2.817 %
Material	Frame : 8" Fe
	Cone : Bamboo fiber
	Surround : CLOTH
	Damper : CONEX
	Voice : 35 KRAFT
Magnet	: 145X50X20 Y30



GUI-SOUND ELECTRONICS INDUSTRIAL CO., LTD

E-Mail:sales@gui-sound.com

www.gui-sound.com

OEM & ODM Welcome