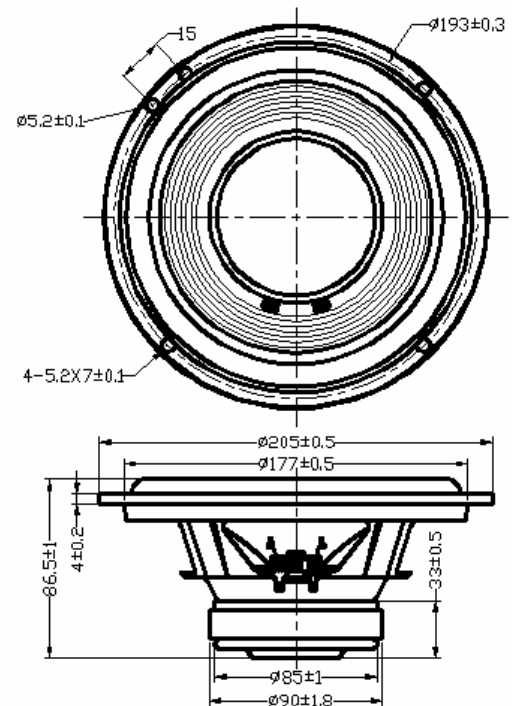


# 8" PRO-Woofer

MODEL:FR205B8-16L

## Specifications & Thiele/Small Parameters

Impedance	: 8 Ohm	
Minimum Frequency Response	: 39Hz	
Reproduction Frequency Response	: Fo~3.5K	
S.P.L.	: 88.1 dB/W(m)	
Rated Input	: 50W	
Music Power	: 75 W	
Equivalent Diaphragm Radius	: 84 mm	
Equivalent Mass	: 15.069 g	
Magnet Weight	: 330 g	
Net Weight	: 1320 g	
Fs	: 39.061 Hz	
Re	: 6.8 Ohm	
Mms	: 16.794 g	
BL	: 5.718 TM	
Qts	: 0.667	
Qms	: 3.008	
Qes	: 0.857	
Vas	: 60.73 Ltr	
Xmax	: 4 mm	
no	: 0.408 %	
Material	Frame	: Fe
	Cone	: PAPER COATING
	Surround	: FABRIC
	Damper	: CONEX
	VC DIA	: 1.6"
	Magnet	: 11.6 oz



OEM& ODM WELCOME

GUI-SOUND ELECTRONICS INDUSTRIES CO., LTD

<http://www.gui-sound.com>

E-mail: [sales@gui-sound.com](mailto:sales@gui-sound.com)

GSPV5.9