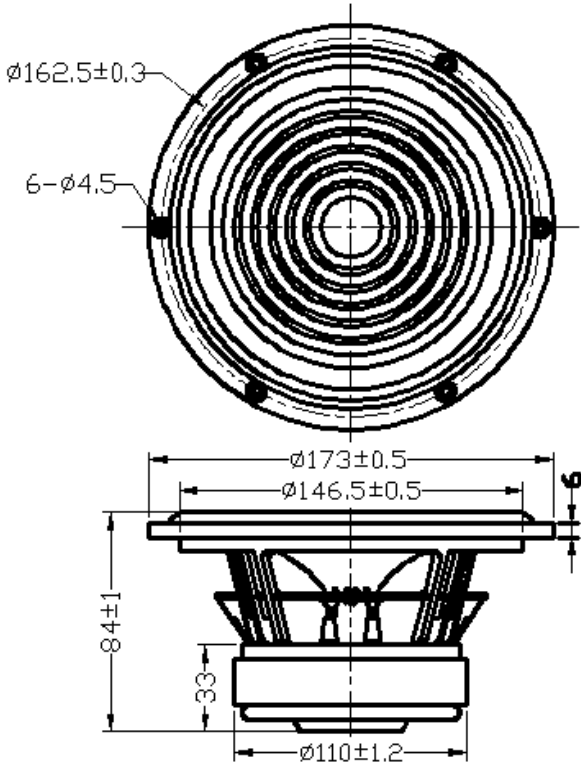


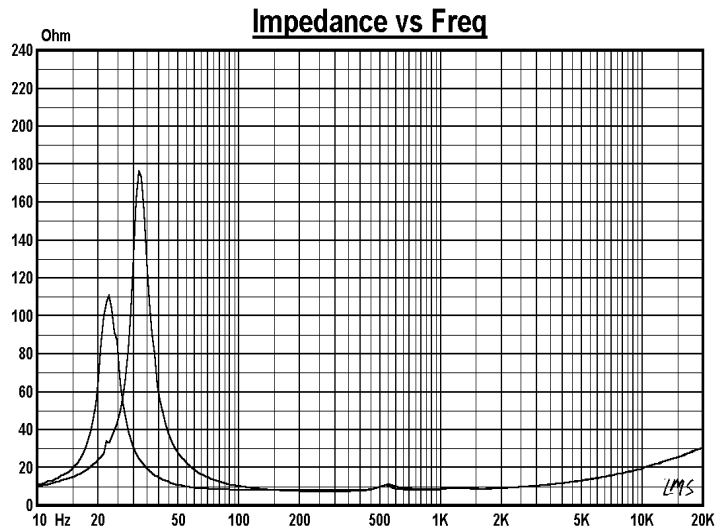
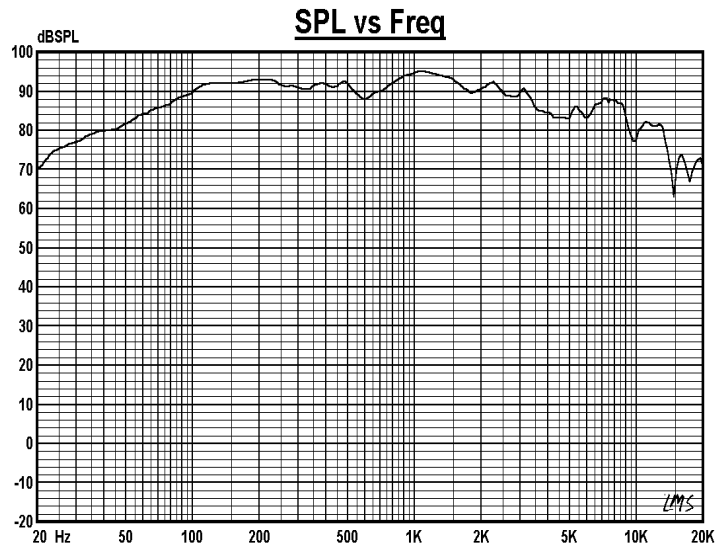
7" MID-Woofer

Model : FR173B8-15L



Specifications & Thiele/Small Parameters

| | |
|---------------------------------|--------------------|
| Impedance | : 8 Ohm |
| Minimum Frequency Response | : 33Hz |
| Reproduction Frequency Response | : Fo~8K |
| S.P.L. | : 90.426 dB/W(m) |
| Rated Input | : 20 W |
| Music Power | : 30 W |
| Equivalent Diaphragm Radius | : 63mm |
| Equivalent Mass | : 9.114g |
| Magnet Weight | : 590 g |
| Net Weight | : 1805g |
| Fs | : 32.602 Hz |
| Re | : 6.2 Ohm |
| Mms | : 9.957g |
| BL | : 6.8TM |
| Qts | : 0.269 |
| Qms | : 6.81 |
| Qes | : 0.273 |
| Vas | : 56.561 Ltr |
| Xmax | : 3 mm |
| no | : 0.70% |
| Material | Frame : Cast |
| | Cone : Fiber glass |
| | Surround : RUBBER |
| | Damper : CONEX |
| | VC DIA : 1.2" |
| Magnet | : 20.9 oz |



OEM & ODM WELCOME

GUI-SOUND ELECTRONICS INDUSTRIAL CO.,LTD

<http://www.gui-sound.com> E-mail: sales@gui-sound.com