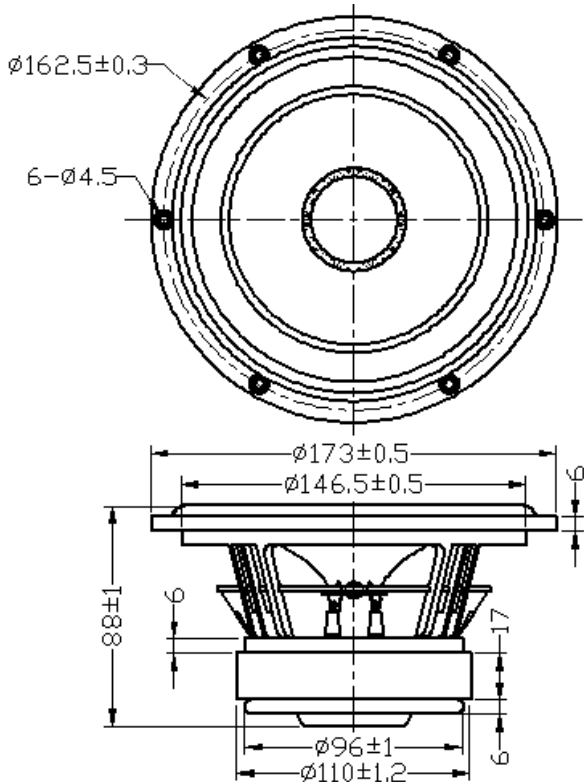


6 .5" MID-Woofer

Model : FR173B8-12LG(Phase plug gold)

FR173B8-12LS(Phase plug silver)

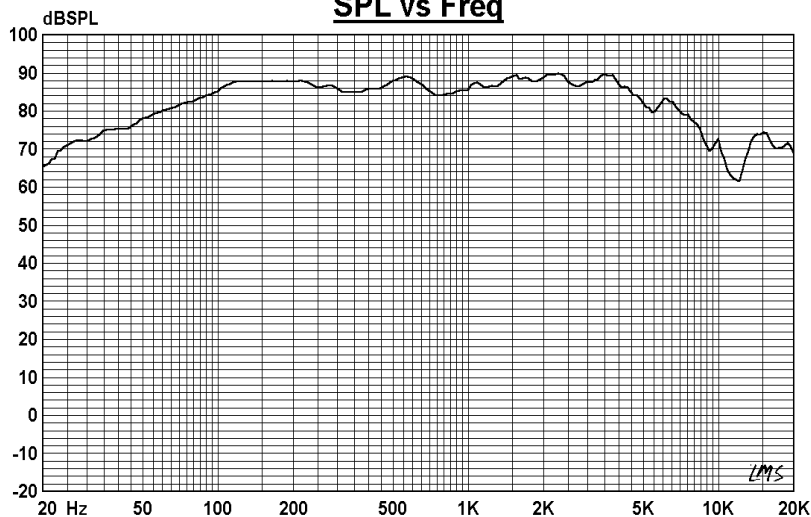
FR173B8-12LB(Phase plug black)



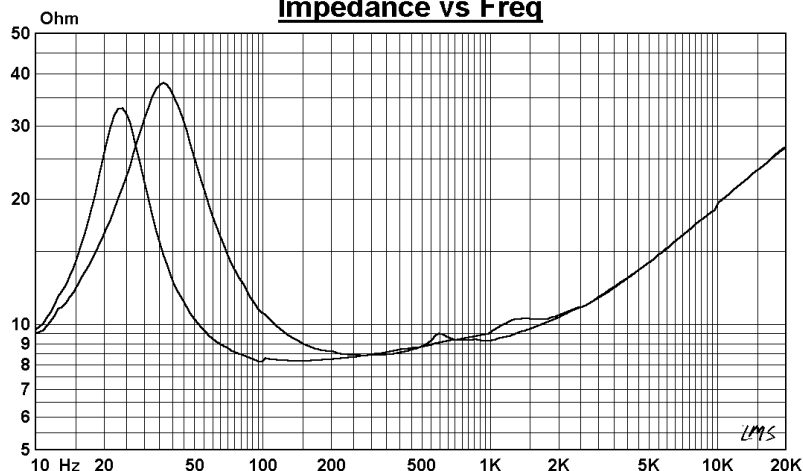
Specifications & Thiele/Small Parameters

Impedance	: 8 Ohm
Minimum Frequency Response	: 36.3Hz
Reproduction Frequency Response	: Fo~6K
S.P.L.	: 85.3 dB/W(m)
Rated Input	: 20 W
Music Power	: 30 W
Equivalent Diaphragm Radius	: 65mm
Equivalent Mass	: 21.0g
Magnet Weight	: 994 g
Net Weight	: 2120g
Fs	: 36.33 Hz
Re	: 7.2 Ohm
Mms	: 21.88g
BL	: 9.012 TM
Qts	: 0.352
Qms	: 1.713
Qes	: 0.443
Vas	: 20.70 Ltr
Xmax	: 6 mm
no	: 0.217%
Material	Frame : AL
	Cone : BLACK KEVLAR
	Surround : RUBBER
	Damper : CONEX
	VC DIA : 1.5"
Magnet	: 23.7 oz

SPL vs Freq



Impedance vs Freq



OEM & ODM WELCOME

GUI-SOUND ELECTRONICS INDUSTRIAL CO., LTD

<http://www.gui-sound.com> E-mail: sales@gui-sound.com