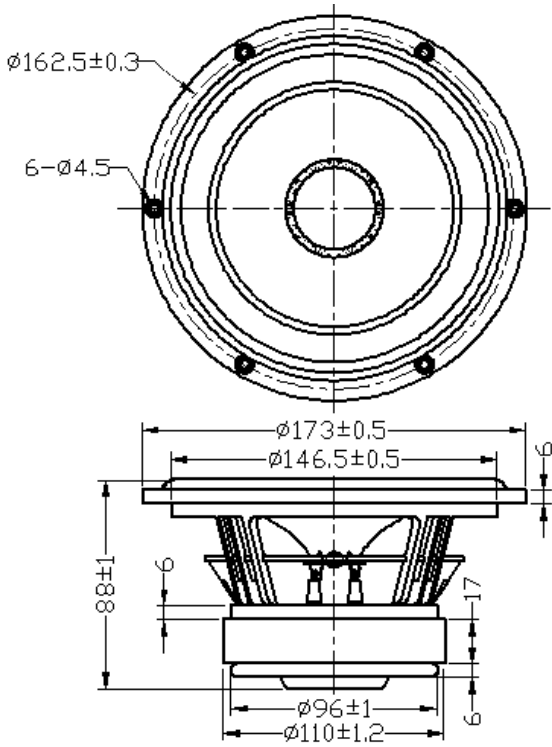


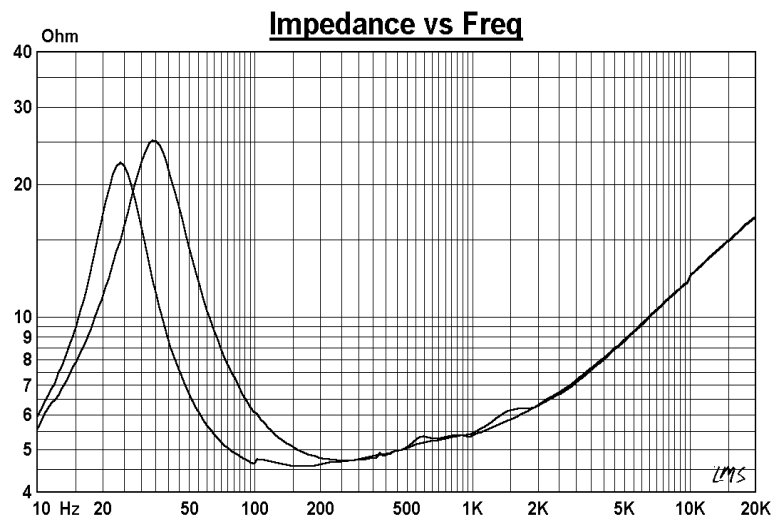
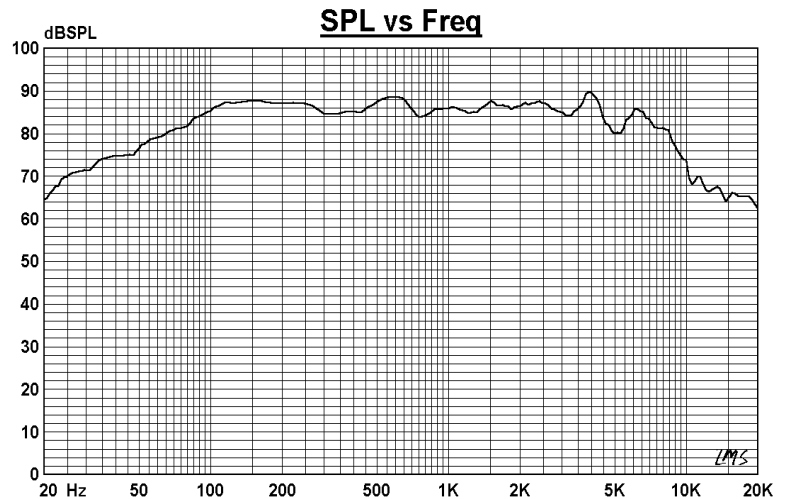
6.5" MID-Woofer

Model :FR173B4-18L



Specifications & Thiele/Small Parameters

| | |
|---------------------------------|----------------------|
| Impedance | : 4 Ohm |
| Minimum Frequency Response | : 39Hz |
| Reproduction Frequency Response | : Fo~8K |
| S.P.L. | : 87.9dB/W(m) |
| Rated Input | : 20 W |
| Music Power | : 30 W |
| Equivalent Diaphragm Radius | : 65 mm |
| Equivalent Mass | : 15.636g |
| Magnet Weight | : 560 g |
| Net Weight | : 2095g |
| Fs | : 39.574Hz |
| Re | : 3.6 Ohm |
| Mms | : 16.479g |
| BL | : 6.437 TM |
| Qts | : 0.298 |
| Qms | : 1.821 |
| Qes | : 0.356 |
| Vas | : 23.193Ltr |
| Xmax | : 5 mm |
| no | : 0.391% |
| Material | Frame : AL |
| | Cone : PAPER COATING |
| | Surround : RUBBER |
| | Damper : CONEX |
| | VC DIA : 1.5" |
| Magnet | : 23.7 OZ |



OEM & ODM WELCOME

GUI-SOUND ELECTRONICS INDUSTRIAL CO., LTD

<http://www.gui-sound.com> E-mail: sales@gui-sound.com