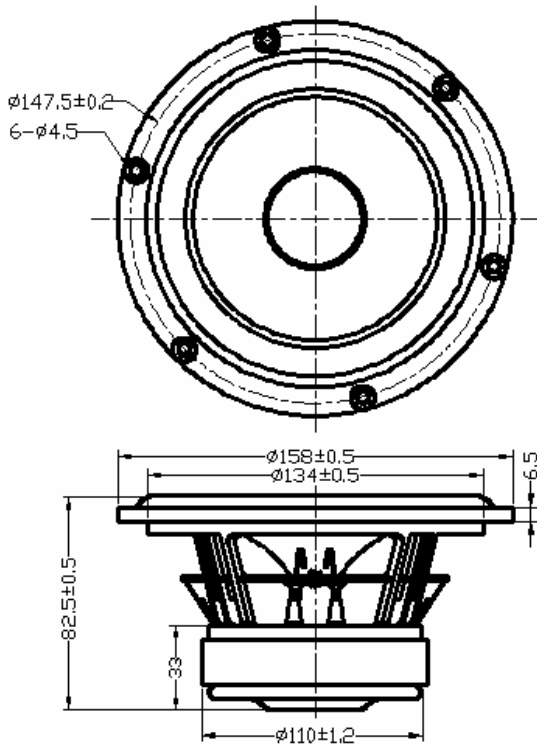


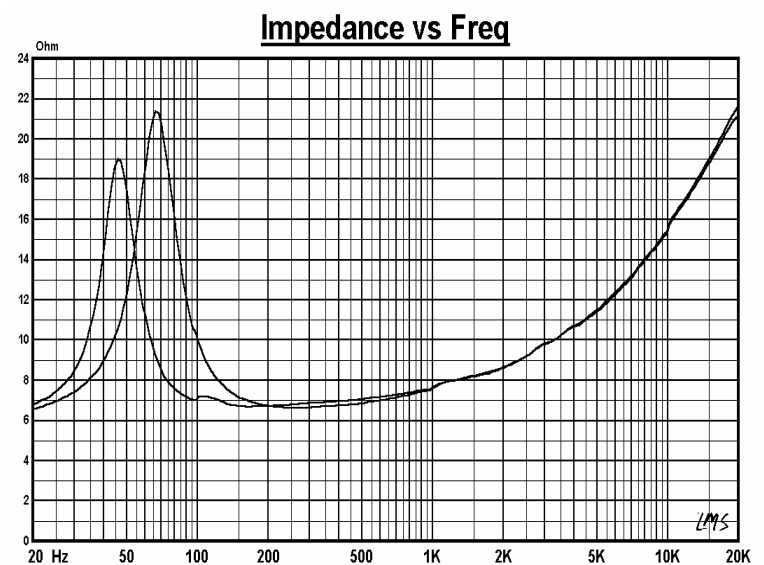
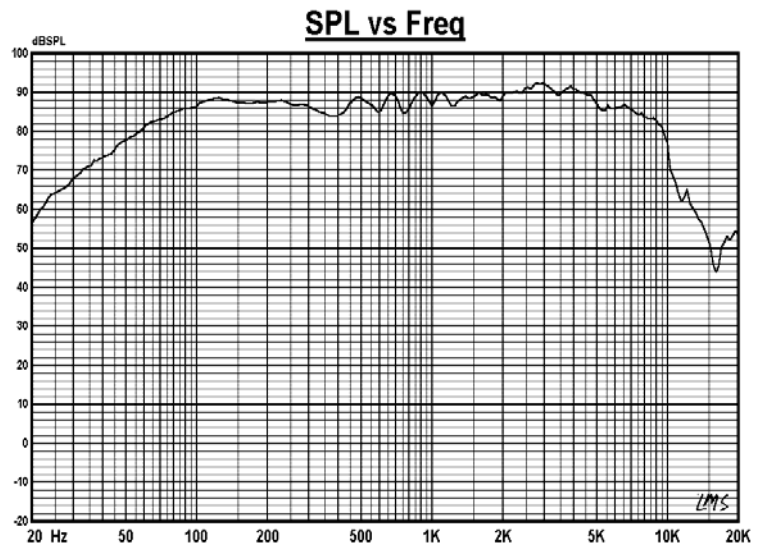
# 6" MID-Woofer

Model : FR158B6-12L



## Specifications & Thiele/Small Parameters

Impedance	: 6 Ohm
Minimum Frequency Response	: 66Hz
Reproduction Frequency Response	: Fo~10K
S.P.L.	: 87.36 dB/W(m)
Rated Input	: 35 W
Music Power	: 50 W
Equivalent Diaphragm Radius	: 60mm
Equivalent Mass	: 8.884g
Magnet Weight	: 594g
Net Weight	: 1690g
Fs	: 65.816 Hz
Re	: 5.8 Ohm
Mms	: 9.649g
BL	: 4.775 TM
Qts	: 0.727
Qms	: 0.247
Qes	: 1.030
Vas	: 12.225 Ltr
Xmax	: 4 mm
no	: 0.342%
Material	Frame : Cast
	Cone : P.P
	Surround : RUBBER
	Damper : CONEX
	VC DIA : 1"
Magnet	: 20.9 oz



OEM & ODM WELCOME

GUI-SOUND ELECTRONICS INDUSTRIAL CO.,LTD

<http://www.gui-sound.com> E-mail: [sales@gui-sound.com](mailto:sales@gui-sound.com)