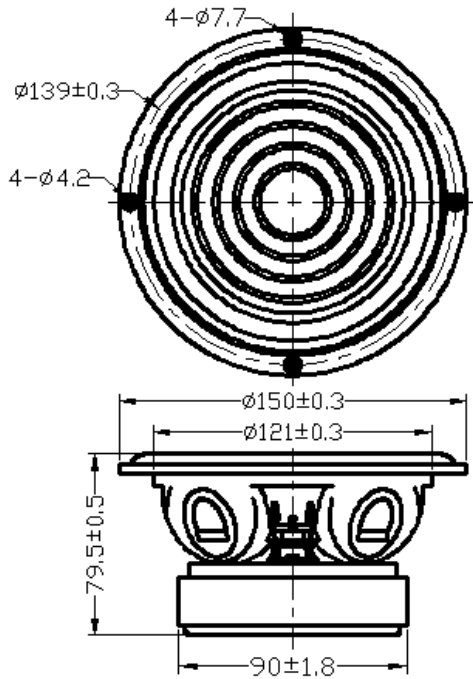


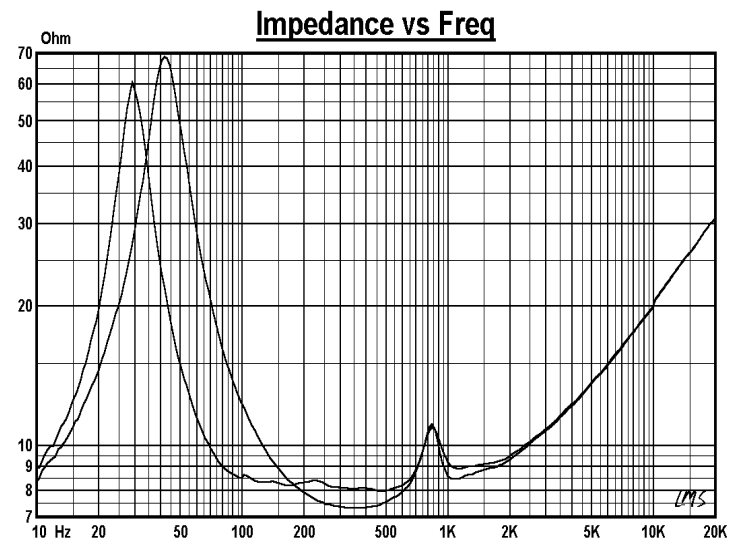
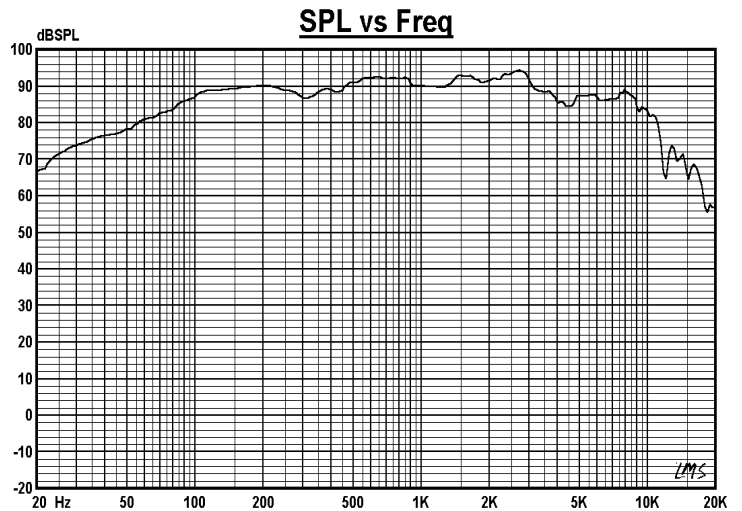
6" MID-Woofer

Model :FR150B8-14L



Specifications & Thiele/Small Parameter

| | |
|---------------------------------|--------------------|
| Impedance | : 8 Ohm |
| Minimum Frequency Response | : 40Hz |
| Reproduction Frequency Response | : Fo~12K |
| S.P.L. | : 91.522 dB/W(m) |
| Rated Input | : 20 W |
| Music Power | : 30 W |
| Equivalent Diaphragm Radius | : 55 mm |
| Equivalent Mass | : 6.878 g |
| Magnet Weight | : 382 g |
| Net Weight | : 1205g |
| Fs | : 42.302Hz |
| Re | : 6.2 Ohm |
| Mms | : 7.643 g |
| BL | : 6.313 TM |
| Qts | : 0.286 |
| Qms | : 2.993 |
| Qes | : 0.316 |
| Vas | : 38.505 Ltr |
| Xmax | : 3 mm |
| no | : 0.892% |
| Material | Frame : Cast |
| | Cone : Fiber glass |
| | Surround : RUBBER |
| | Damper : CONEX |
| | VC DIA : 1.2" |
| Magnet | : 13.5 oz |



OEM& ODM WELCOME

GUI-SOUND ELECTRONICS INDUSTRIAL CO.,LTD

<http://www.gui-sound.com> E-mail: sales@gui-sound.com