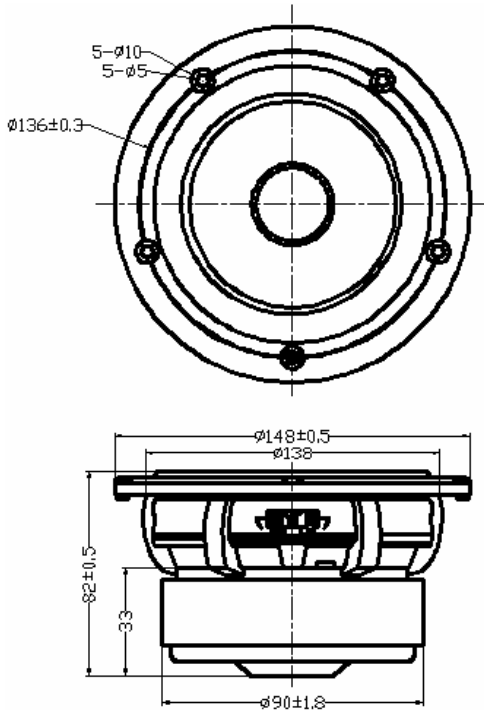


6" MID-Woofer

MODEL:FR148B6-24L

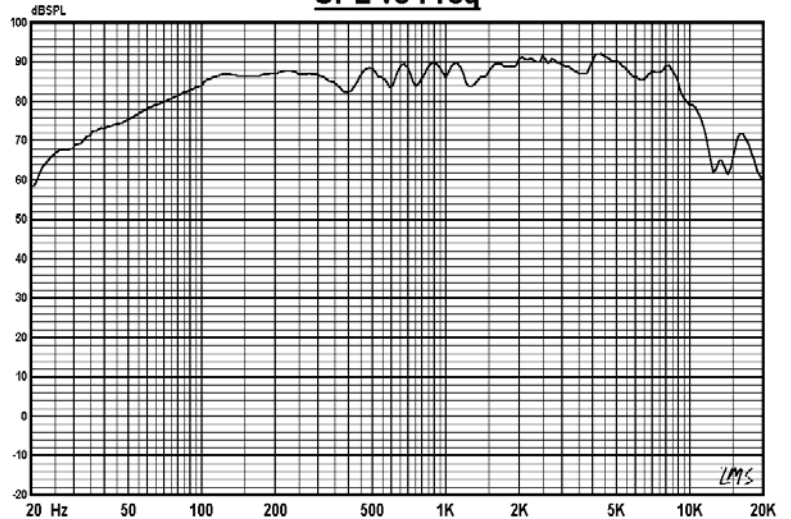
(Poly Kevlar fiber Cone)



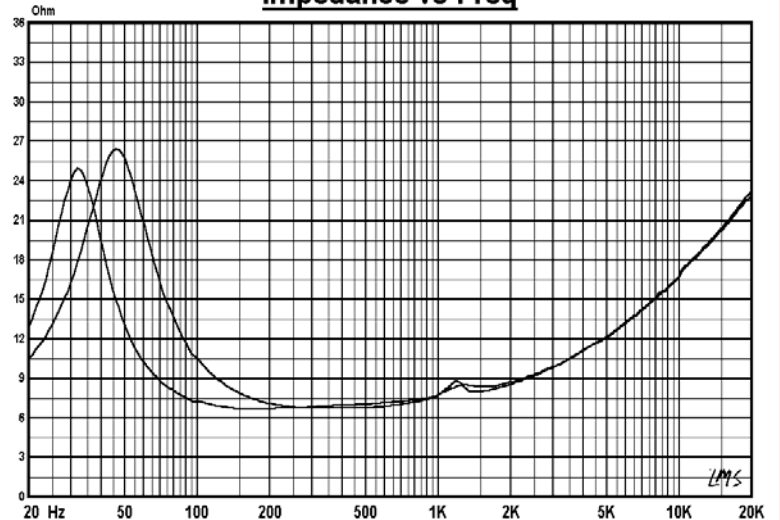
Specifications & Thiele/Small Parameters

Impedance	: 6 Ohm
Minimum Frequency Response	: 45 Hz
Reproduction Frequency Response	: Fo~11K
S.P.L.	: 87.149 dB/W(m)
Rated Input	: 30 W
Music Power	: 40 W
Equivalent Diaphragm Radius	: 55 mm
Equivalent Mass	: 9.762 g
Magnet Weight	: 383 g
Net Weight	: 1525g
Fs	: 45.554 Hz
Re	: 5.6 Ohm
Mms	: 10.294 g
BL	: 6.221 TM
Qts	: 0.328
Qms	: 1.414
Qes	: 0.426
Vas	: 15.196 Ltr
Xmax	: 4 mm
no	: 0.30 %
Material	Frame : CAST
	Cone : POLY KEVLAR FIBER
	Surround : RUBBER
	Damper : CONEX
	VC DIA : 1.2 "
	Magnet : 13.5 oz

SPL vs Freq



Impedance vs Freq



OEM & ODM WELCOME

GUI-SOUND ELECTRONICS INDUSTRIAL CO., LTD

<http://www.gui-sound.com> E-mail: sales@gui-sound.com