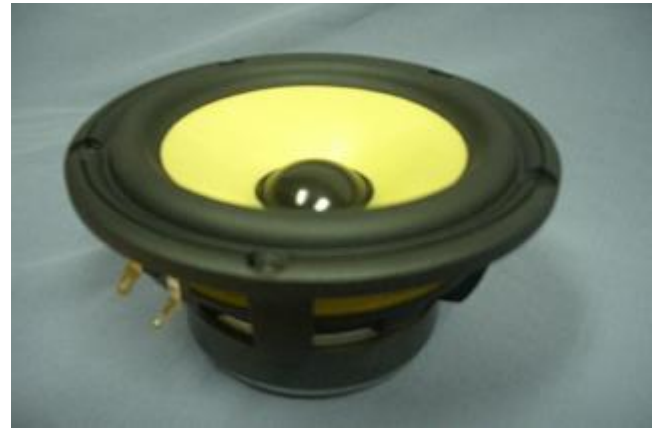
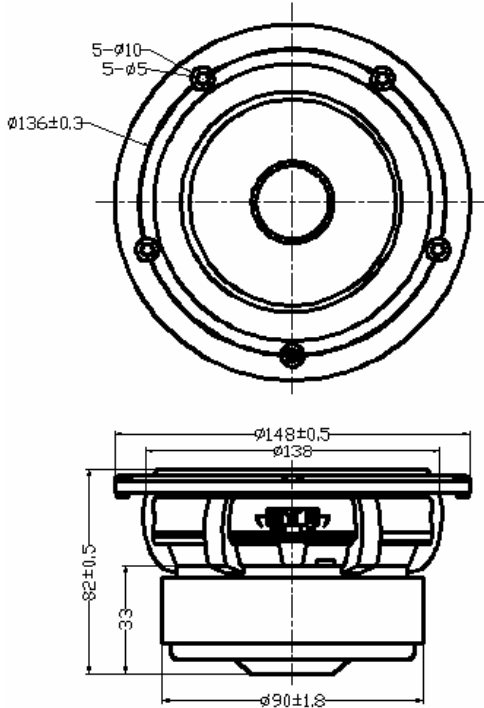


6" MID-Woofer

MODEL:FR148B6-23L

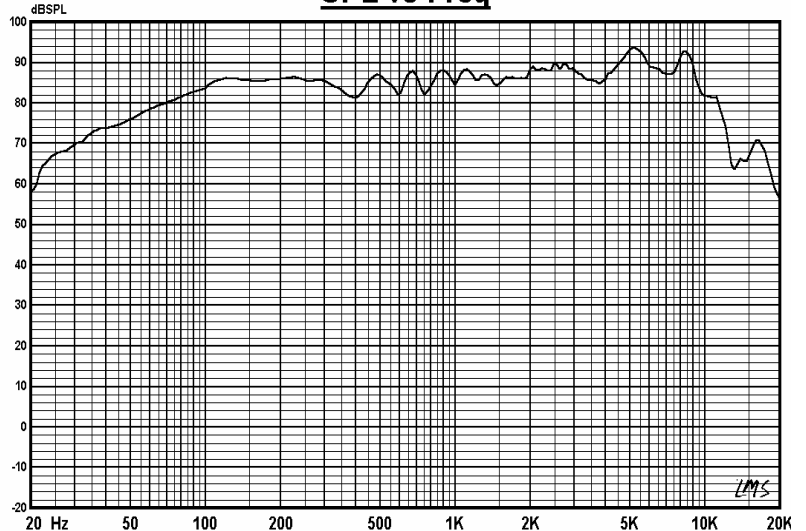
(Poly Glassfiber Cone)



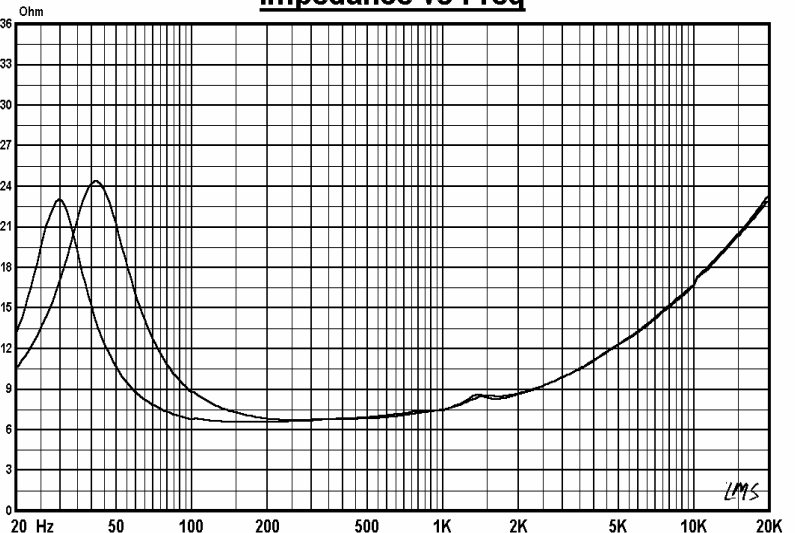
Specifications & Thiele/Small Parameters

Impedance	: 6 Ohm
Minimum Frequency Response	: 40 Hz
Reproduction Frequency Response	: Fo~12K
S.P.L.	: 85.32 dB/W(m)
Rated Input	: 30 W
Music Power	: 40 W
Equivalent Diaphragm Radius	: 55 mm
Equivalent Mass	: 11.728 g
Magnet Weight	: 383 g
Net Weight	: 1525g
Fs	: 40.359 Hz
Re	: 5.6 Ohm
Mms	: 12.26 g
BL	: 6.003 TM
Qts	: 0.361
Qms	: 1.433
Qes	: 0.483
Vas	: 16.255 Ltr
Xmax	: 4 mm
no	: 0.214 %
Material	Frame : CAST
	Cone : POLY GLASS FIBER
	Surround : RUBBER
	Damper : CONEX
	VC DIA : 1.2 "
	Magnet : 13.5 oz

SPL vs Freq



Impedance vs Freq



OEM & ODM WELCOME

GUI-SOUND ELECTRONICS INDUSTRIAL CO., LTD

<http://www.gui-sound.com> E-mail: sales@gui-sound.com