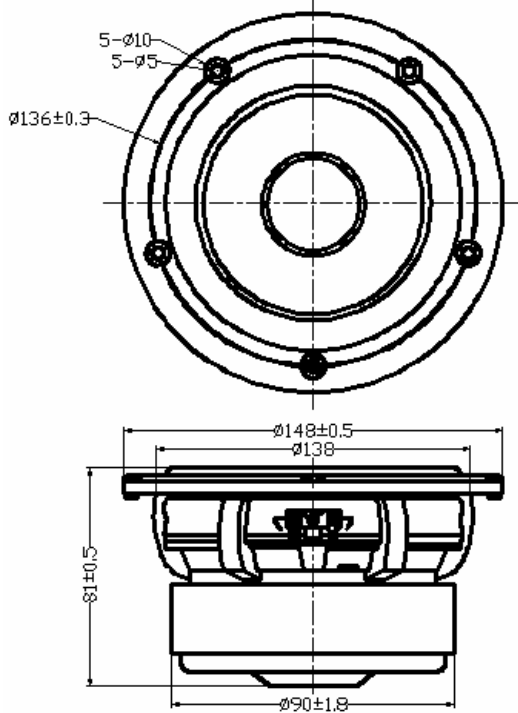


5.25" MID-Woofer

MODEL:FR148B6-20L

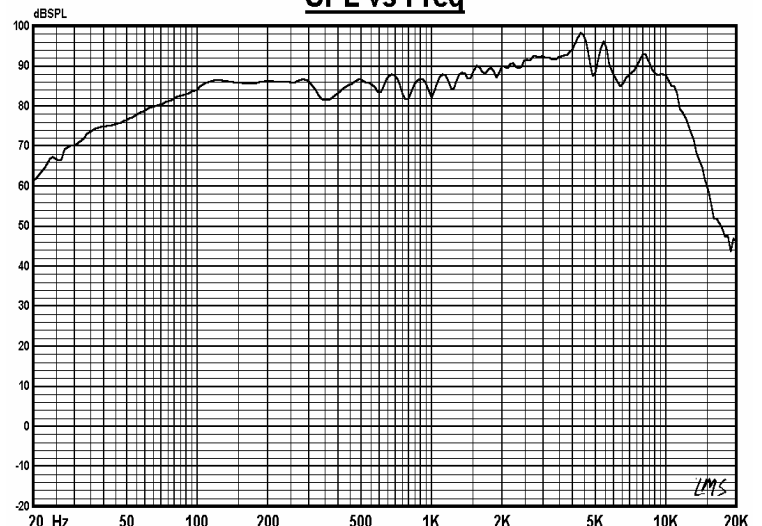
(Fiberglass Cone)



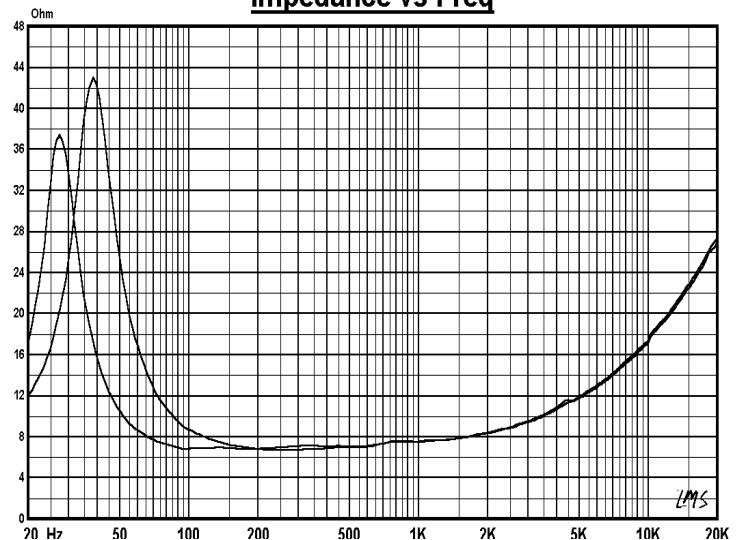
Specifications & Thiele/Small Parameters

Impedance	: 6 Ohm
Minimum Frequency Response	: 38 Hz
Reproduction Frequency Response	: Fo~12K
S.P.L.	: 86.357 dB/W(m)
Rated Input	: 30 W
Music Power	: 40 W
Equivalent Diagram Radius	: 55 mm
Equivalent Mass	: 9.959 g
Magnet Weight	: 383 g
Net Weight	: 1520g
Fs	: 38.642 Hz
Re	: 5.6 Ohm
Mms	: 10.491 g
BL	: 5.788 TM
Qts	: 0.366
Qms	: 2.611
Qes	: 0.426
Vas	: 20.722 Ltr
Xmax	: 4 mm
no	: 0.272 %
Material	Frame : CAST
	Cone : FIBER GLASS
	Surround : RUBBER
	Damper : CONEX
	VC DIA : 1.2 "
Magnet	: 13.5 oz

SPL vs Freq



Impedance vs Freq



OEM & ODM WELCOME

GUI-SOUND ELECTRONICS INDUSTRIAL CO.,LTD

<http://www.gui-sound.com> E-mail: sales@gui-sound.com