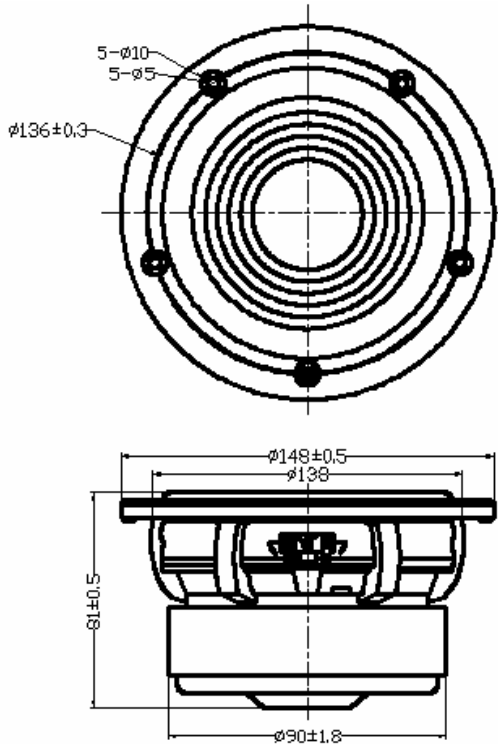


5.25" MID-Woofer

MODEL:FR148B6-19L

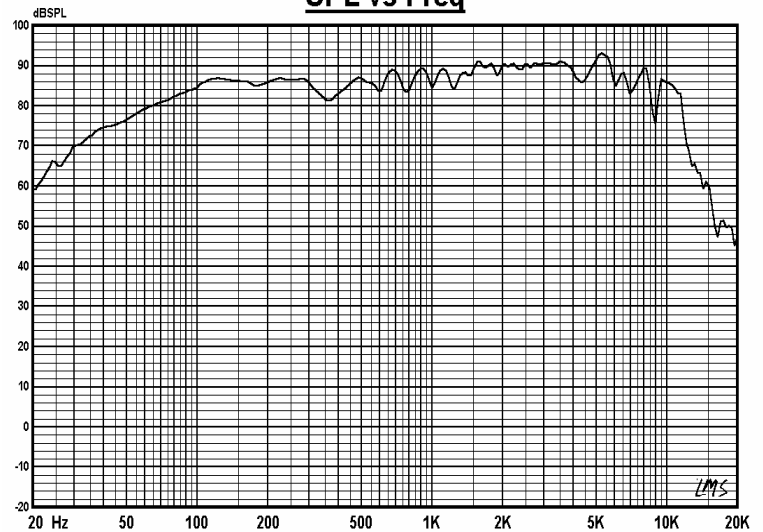
(Fiberglass Looper Cone)



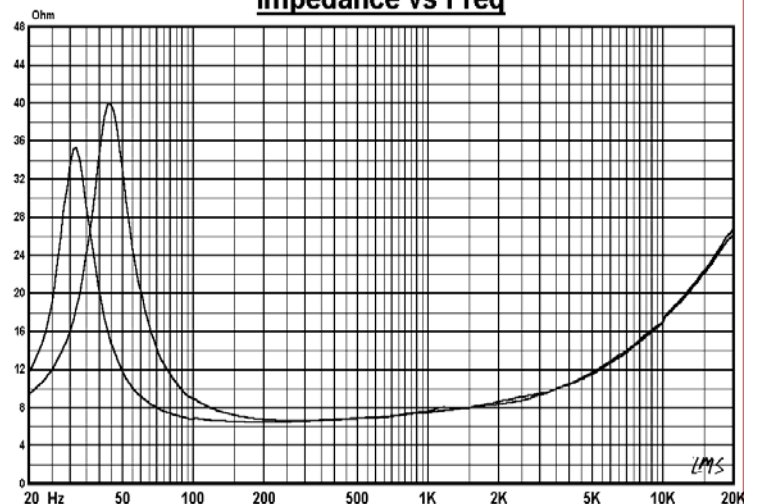
Specifications & Thiele/Small Parameters

Impedance	: 6 Ohm	
Minimum Frequency Response	: 44 Hz	
Reproduction Frequency Response	: Fo~12K	
S.P.L.	: 85.944 dB/W(m)	
Rated Input	: 30 W	
Music Power	: 40 W	
Equivalent Diaphragm Radius	: 55 mm	
Equivalent Mass	: 10.649 g	
Magnet Weight	: 383 g	
Net Weight	: 1520g	
Fs	: 44.316 Hz	
Re	: 5.6 Ohm	
Mms	: 11.181 g	
BL	: 5.882 TM	
Qts	: 0.427	
Qms	: 2.782	
Qes	: 0.504	
Vas	: 14.783 Ltr	
Xmax	: 4 mm	
no	: 0.247 %	
Material	Frame	: CAST
	Cone	: FIBER GLASS LOOPER
	Surround	: RUBBER
	Damper	: CONEX
	VC DIA	: 1.2 "
	Magnet	: 13.5 oz

SPL vs Freq



Impedance vs Freq



OEM & ODM WELCOME

GUI-SOUND ELECTRONICS INDUSTRIAL CO.,LTD

<http://www.gui-sound.com> E-mail: sales@gui-sound.com