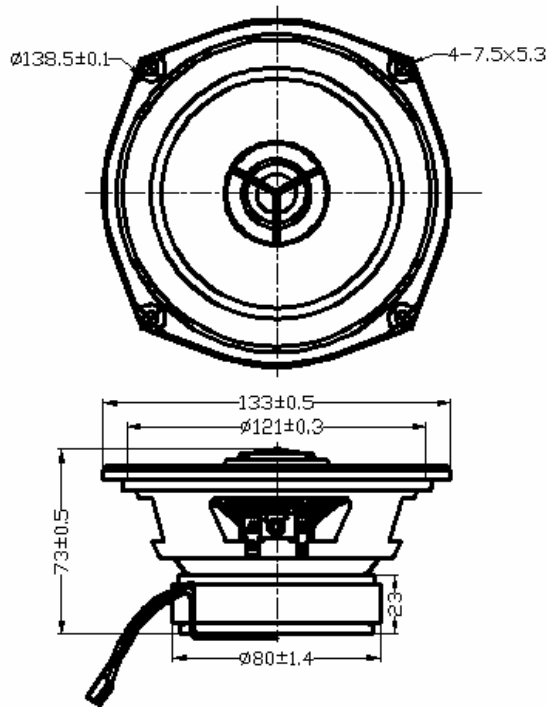


5.25" COAXIAL SPEAKER

Model :FP133B8-14F



Specifications & Thiele/Small Parameters

Impedance	: 8 Ohm		
Minimum Frequency Response	: 62Hz		
Reproduction Frequency Response	: Fo~20K		
S.P.L.	: 87.961 dB/W(m)		
Rated Input	: 20 W		
Music Power	: 30 W		
Equivalent Diaphragm Radius	: 54 mm		
Equivalent Mass	: 6.249 g		
Magnet Weight	: 316 g		
Net Weight	: 805 g		
Fs	: 62.007Hz		
Re	: 7.2 Ohm		
Mms	: 6.773g		
BL	: 5.096 TM		
Qts	: 0.653		
Qms	: 6.101		
Qes	: 0.732		
Vas	: 12.467 Ltr		
Xmax	: 1.5 mm		
no	: 0.393%		
Material	WOOFER	TWEETER	
	Frame	Fe	ABS
	Cone	BLACK KEVLAR	TITANIUM
	Surround	RUBBER	SILK
	Damper	COTTON	
	VC DIA	1"	0.8"
	Magnet	11.1 OZ	NEODYMIUM

