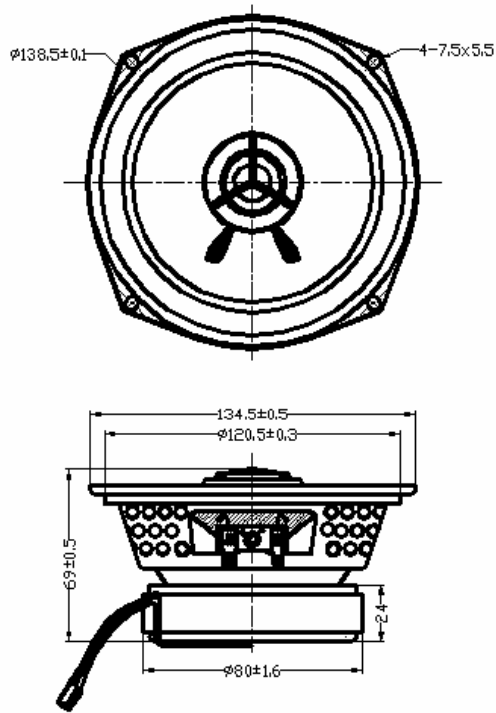


5.25" COAXIAL SPEAKER

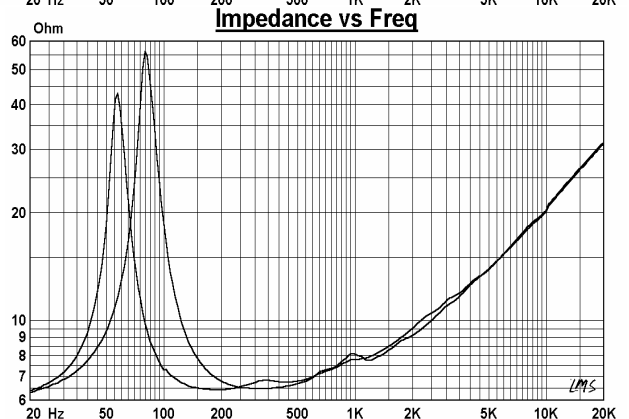
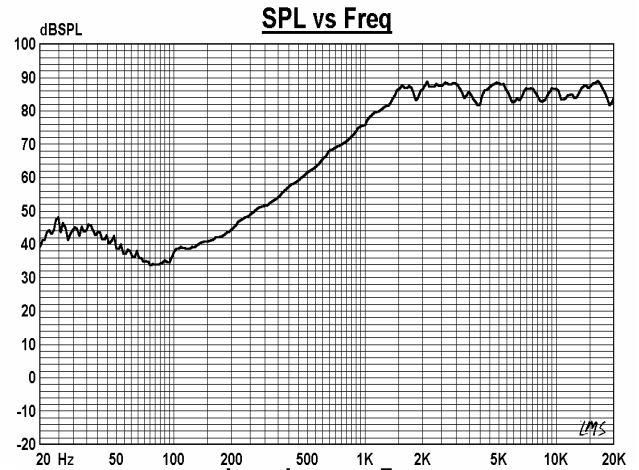
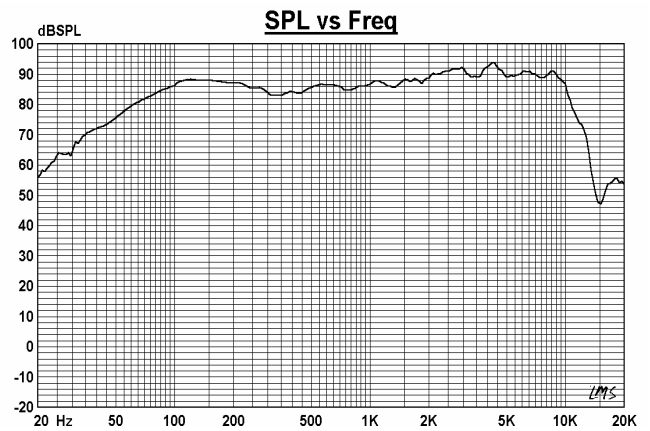
Model :FP133B6-15F



Specifications & Thiele/Small Parameters

Impedance	: 6 Ohm
Minimum Frequency Response	: 82Hz
Reproduction Frequency Response	: Fo~20K
S.P.L.	: 87.922 dB/W(m)
Rated Input	: 20 W
Music Power	: 30 W
Equivalent Diaphragm Radius	: 54 mm
Equivalent Mass	: 7.359 g
Magnet Weight	: 282g
Net Weight	: 805g
Fs	: 81.956Hz
Re	: 5.6 Ohm
Mms	: 7.891g
BL	: 5.214 TM
Qts	: 0.744
Qms	: 6.65
Qes	: 0.837
Vas	: 6.124 Ltr
Xmax	: 1.5 mm
no	: 0.400%

	WOOFER	TWEETER	
Material	Frame	Fe	ABS
	Cone	P.P SHEET	TITANIUM
	Surround	RUBBER	SILK
	Damper	COTTON	
	VC DIA	1"	0.8"
	Magnet	9.9 OZ	NEODYMIUM



OEM & ODM WELCOME

GUI-SOUND ELECTRONICS INDUSTRIAL CO., LTD

<http://www.gui-sound.com>

E-mail: sales@gui-sound.com