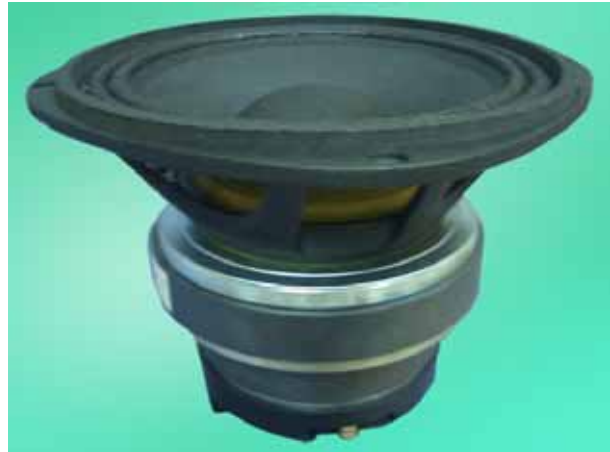
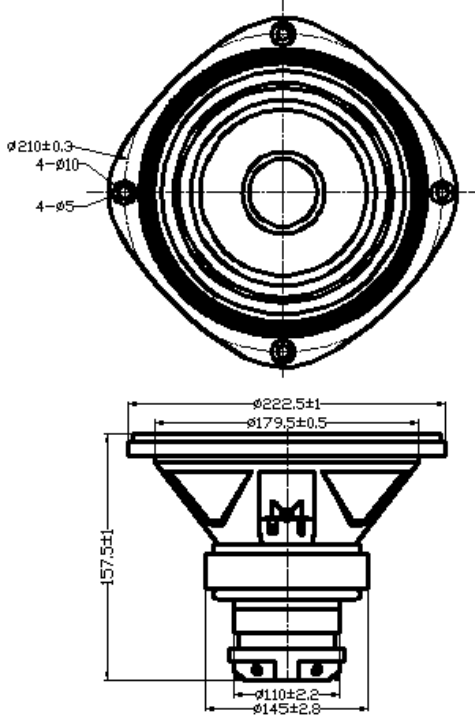
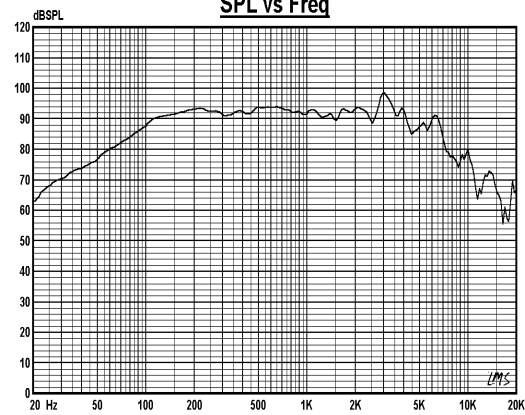


8" Full Range

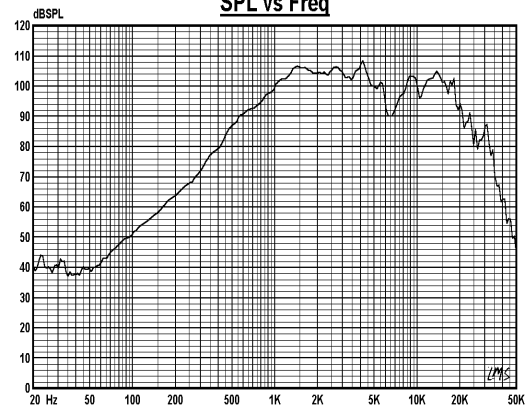
Model :FB202B6-10F



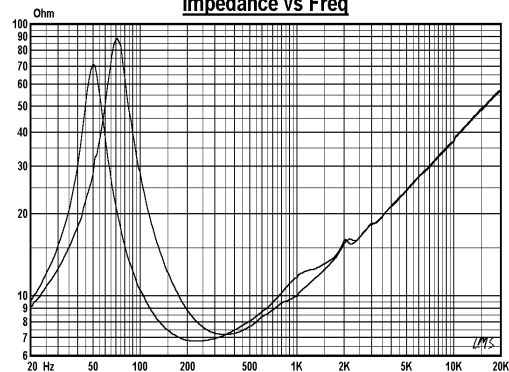
SPL vs Freq



SPL vs Freq



Impedance vs Freq



& Thiele/Small Parameters

Impedance	: 6 Ohm
Minimum Frequency Response	: 70Hz
Reproduction Frequency Response	: Fo~7K
S.P.L.	: 94.426 dB/W(m)
Rated Input	: 80 W
Music Power	: 100 W
Equivalent Diaphragm Radius	: 81 mm
Equivalent Mass	: 19.311 g
Magnet Weight	: 1990 g
Net Weight	: 5900 g
Fs	: 71.168Hz
Re	: 5.6 Ohm
Mms	: 21.036g
BL	: 13.421 TM
Qts	: 0.273
Qms	: 4.062
Qes	: 0.292
Vas	: 14.606 Ltr
Xmax	: 4 mm
no	: 1.741 %

	WOOFER	TWEETER
Material	Frame	Cast
	Cone	PAPER
	Surround	FABRIC
	Damper	CONEX+COTTON
	VC DIA	2"
	Magnet	47.6OZ

OEM& ODM WELCOME

GUI-SOUND ELECTRONICS INDUSTRIAL CO., LTD

<http://www.gui-sound.com> E-mail: sales@gui-sound.com